

SINGER

755U 213

755U 313

756U 213

756U 313

ILLUSTRATED PARTS LIST

SINGER®

MACHINE

755U 213 (CYL. BED, BOTTOM COVER)
313 (2N, SEAM COVERING)
313 (3N, SEAM COVERING)

756U 213 (CYL. BED, TOP+BOTTOM COVER)
313 (2N, SEAM COVER)
313 (3N, SEAM COVER)

WHICH DIFFER FROM 755U200 MACHINE

300

756U200

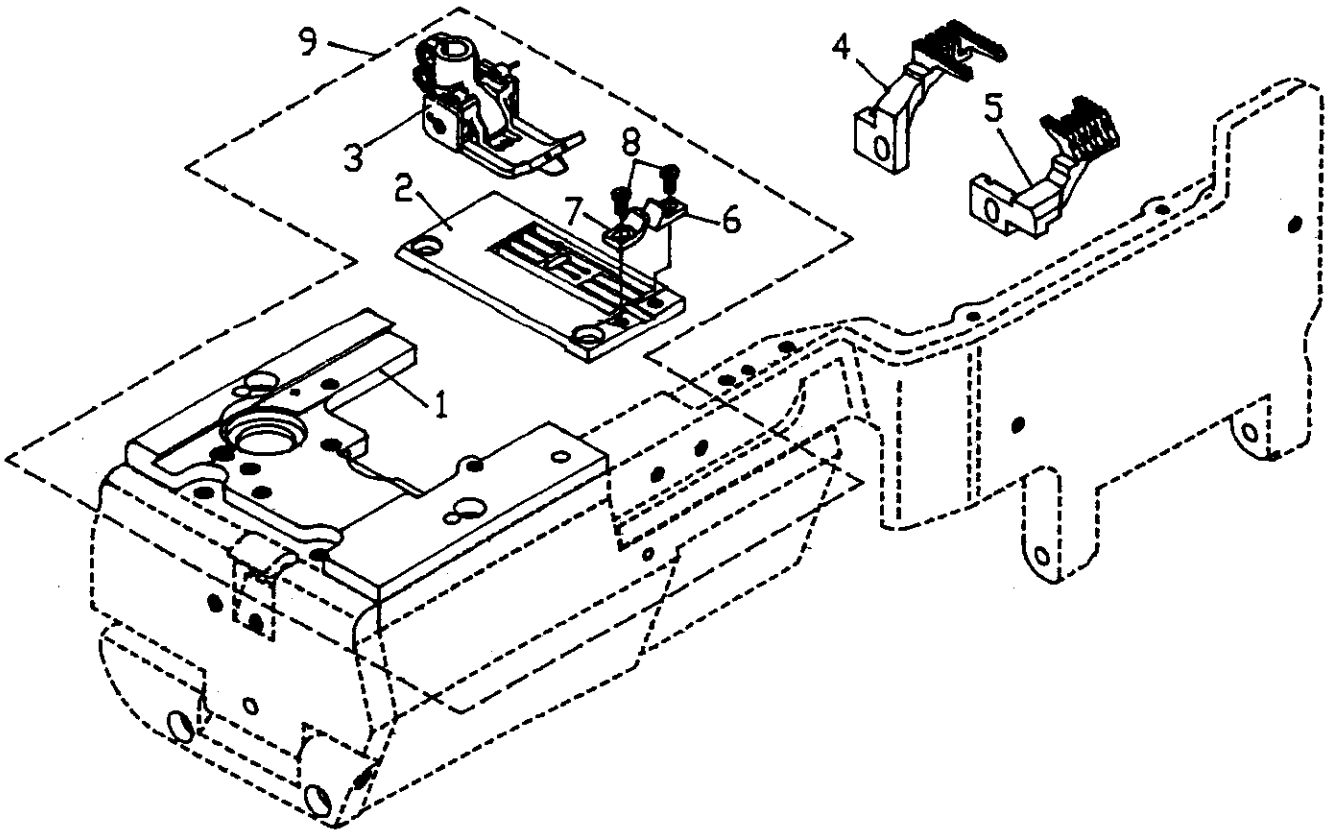
300

®A registered trademark of The Singer Company Limited

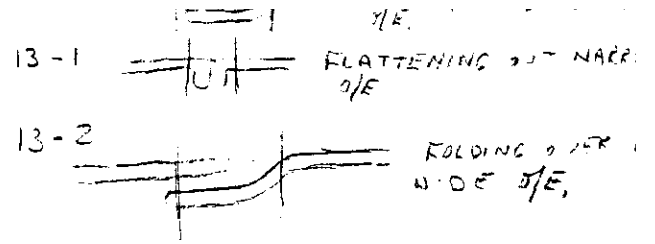
Copyright©1997 The Singer Company Limited

All Rights Reserved Throughout The World

1. 755U213-0/755U313-0/756U213-0/756U313-0



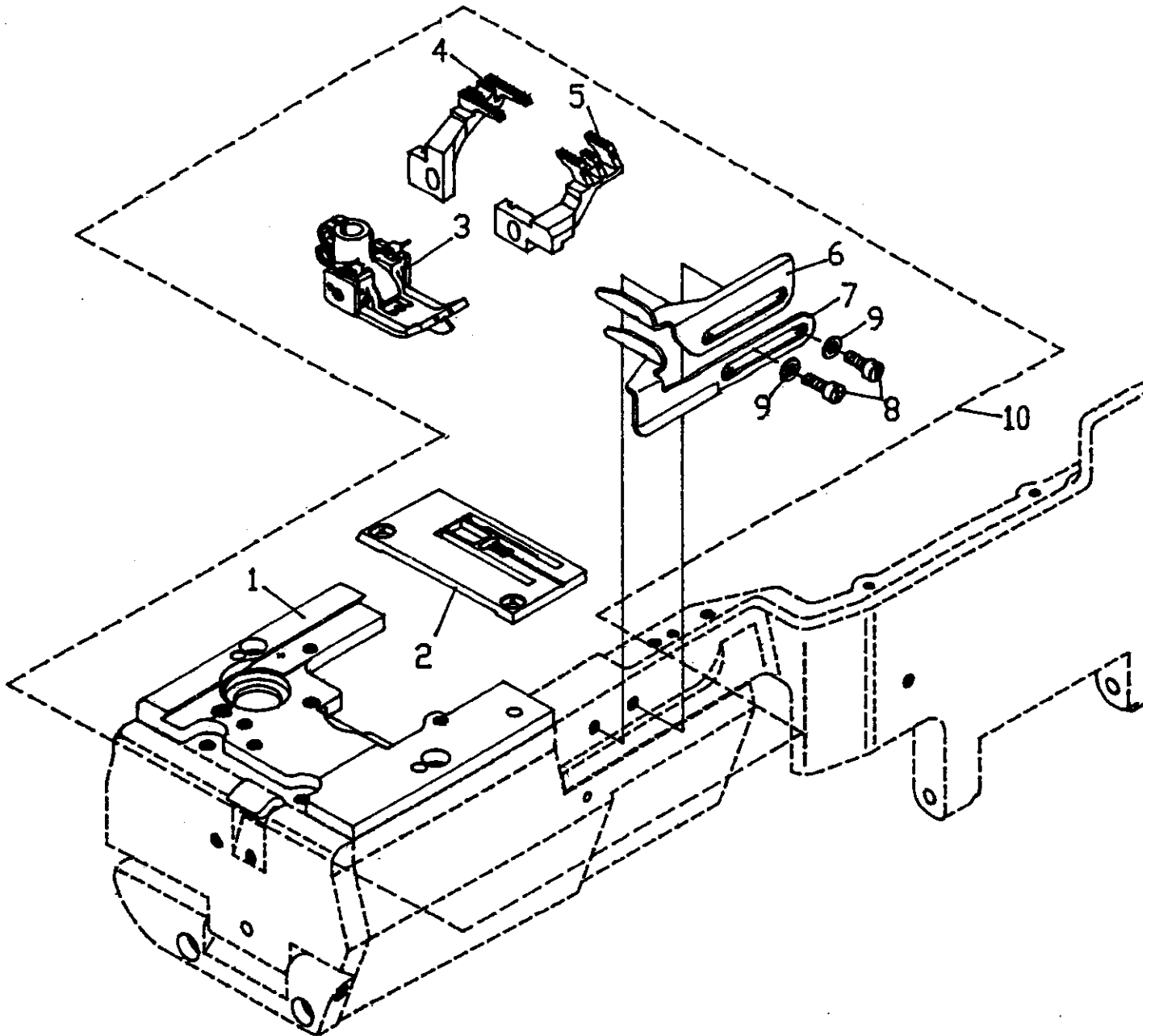
755U213-0/755U313-0/756U213-0/756U313-0



Ref. No.	Part No.	Description	Q'ty
1	VC130101E200	Needle Plate Seat -----	1
2	-----	Needle Plate (See List Below) -----	1
3	-----	Presser Foot (See List Below) -----	1
4	-----	Main Feed Dog (See List Below) -----	1
5	-----	Differential Feed Dog (See List Below) -----	1
6	VC130106E200	Fabric Guide (right) -----	1
7	VC130107E200	Fabric Guide (left) -----	1
8	VSB24560405A	Screw -----	2
9	VFG13-A1	Fabric Guide Set -----	1

Ref. No.	Description	Needle Gauge			
		4.0 mm	4.8 mm	5.6 mm	6.4 mm
2	Needle Plate	VTPC13404	VTPC13484	VTPC13564	VTPC13644
3	Presser Foot	VPFC13400	VPFC13480	VPFC13561	VPFC13641
4	Main Feed Dog	VFDC00560	VFDC00560	VFDC00560	VFDC00640
5	Differential Feed Dog	VFDC00560	VFDC00560	VFDC00560	VFDC00640

2. 755U213-1/755U313-1/756U213-1/756U313-1



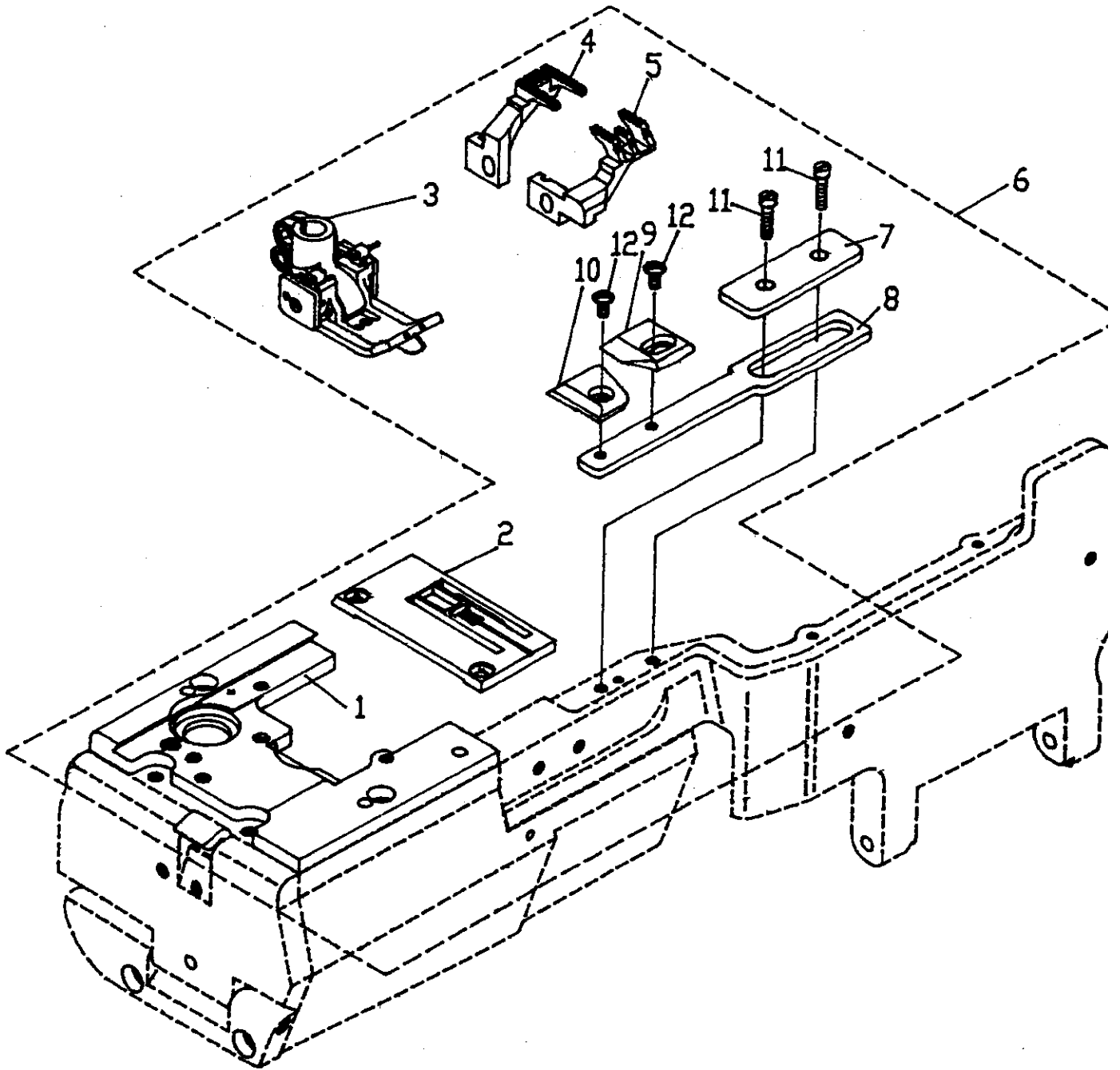
755U213-1/755U313-1/756U213-1/756U313-1

170

<u>Ref. No.</u>	<u>Part No.</u>	<u>Description</u>	<u>Q' ty</u>
1	VC130101E200	Needle Plate Seat -----	1
2	-----	Needle Plate (See List Below) -----	1
3	-----	Presser Foot (See List Below) -----	1
4	-----	Main Feed Dog (See List Below) -----	1
5	-----	Differential Feed Dog (See List Below) -----	1
6	VC130206B700	Fabric Guide (right) -----	1
7	VC130207B700	Fabric Guide (left) -----	1
8	VMB04280807K	Screw -----	2
9	VC110107PW	Washer -----	2
10	VFG13-B	Fabric Guide Set -----	1

Ref. No.	Description	Needle Gauge			
		4.0 mm	4.8 mm	5.6 mm	6.4 mm
2	Needle Plate	VTPC13400	VTPC13480	VTPC13561	VTPC13641
3	Presser Foot	VPFC13400	VPFC13480	VPFC13561	VPFC13641
4	Main Feed Dog	VFDC13561	VFDC13561	VFDC13561	VFDC13641
5	Differential Feed Dog	VDFC13560	VDFC13560	VDFC13560	VDFC13640

3. 755U213-2/755U313-2/756U213-2/756U313-2



<u>Ref. No.</u>	<u>Part No.</u>	<u>Description</u>	<u>Q' ty</u>
1	VC130101E200	Needle Plate Seat -----	1
2	-----	Needle Plate (See List Below) -----	1
3	-----	Presser Foot (See List Below) -----	1
4	-----	Main Feed Dog (See List Below) -----	1
5	-----	Differential Feed Dog (See List Below) -----	1
6	VFG13-C	Fabric Guide Set -----	1
7	VC130309B700	Fabric Guide Seat -----	1
8	VC130310B700	Fixed Plate -----	1
9	VC130312B400	Fabric Guide (right) -----	1
10	VC130311B400	Fabric Guide (left) -----	1
11	VMC04281407D	Screw -----	2
12	VMB03200405A	Screw -----	2

Ref. No.	Description	Needle Gauge			
		4.0 mm	4.8 mm	5.6 mm	6.4 mm
2	Needle Plate	VTPC13400	VTPC13480	VTPC13561	VTPC13641
3	Presser Foot	VPFC13400	VPFC13480	VPFC13561	VPFC13641
4	Main Feed Dog	VFDC13560	VFDC13560	VFDC13560	VFDC13640
5	Differential Feed Dog	VDFC13560	VDFC13560	VDFC13560	VDFC13640