
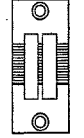
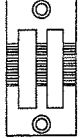
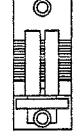

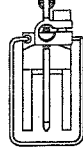

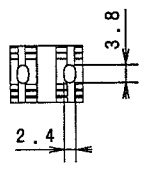
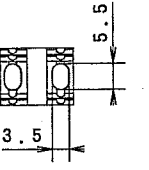
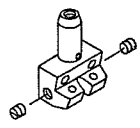
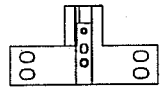

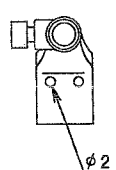
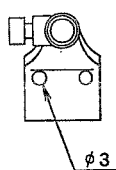
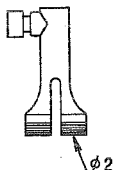
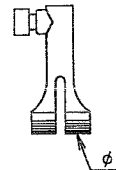


30. TABLE OF EXCHANGING GAUGE PARTS (FOR PLC-1760, PLC-1760L)

交換ゲージ一覧表 (PLC-1760, PLC-1760L用)

PLC-1760	○				○		○		○	
PLC-1760L	○				○		○		○	
NEEDLE GAUGE SIZE 針 幅	THROAT PLATE 針 板				THROAT PLATE FOR LOWER TAPE ATTACHING 下テ-プ付用針板		PRESSER FOOT ASM. 押え足(組)		PRESSER FOOT WITH GUIDE ASM. ガイド付き押え足(組)	
	 Stitch length 縫ピッチ: 9mm		 Stitch length 縫ピッチ: 12mm		 Stitch length 縫ピッチ: 9mm					
mm	Ref.No	Part No.	Ref.No	Part No.	Ref.No	Part No.	Ref.No	Part No.	Ref.No	Part No.
6	1	400-38996	-	-	6	400-39004	10	400-38800	14	400-38810
8	2	400-38995	-	-	7	400-39001	11	400-38797	15	400-38808
10	3	400-38994	5	400-38893	8	400-38999	12	400-38795	16	400-38806
12	4	400-38993	-	-	9	400-38997	13	400-38792	17	400-38802

PLC-1760	○				○		○	
PLC-1760L	○				○		○	
NEEDLE GAUGE SIZE 針 幅	FEED 送 り				NEEDLE CLAMP ASM. 針留(組)		THROAT PLATE HOLDER 針板受け	
	 3.8 2.4		 5.5 3.5					
mm	Ref.No	Part No.	Ref.No	Part No.	Ref.No	Part No.	Ref.No	Part No.
6	18	400-39009	-	-	23	400-38778	27	400-38791
8	19	400-39008	-	-	24	400-38776	28	400-38789
10	20	400-39007	22	400-38897	25	400-38774	29	400-38787
12	21	400-39006	-	-	26	400-38772	30	400-38785

PLC-1760	○				○		○	
PLC-1760L	○				○		○	
NEEDLE GAUGE SIZE 針 幅	FEED FOOT ASM. 送り足(組)				FEED FOOT FOR GUIDE ガイド用送り足			
	 φ2.1		 φ3		 φ2.1		 φ3	
mm	Ref.No	Part No.	Ref.No	Part No.	Ref.No	Part No.	Ref.No	Part No.
6	31	400-38846	-	-	36	400-38854	-	-
8	32	400-38844	-	-	37	400-38852	-	-
10	33	400-38842	35	400-38898	38	400-38850	40	400-39271
12	34	400-38840	-	-	39	400-38848	-	-