



# Parts List and Sewing Equipment 零件样本和缝纫附件

## 281

### DÜRKOPP ADLER

Manufacturer: Dürkopp Adler Manufacturing (Shanghai) Co., Ltd.  
1201 Luoshan Road, Pudong New Area, Shanghai 200135, China

Contact: Dürkopp Adler AG, PO Box 17 03 51, D-33703 Bielefeld, Potsdamerstr. 190, D-33719 Bielefeld,  
Phone +49 (0) 521 9 25 00, Fax +49 (0) 521 9 25 24 35, www.duerkopp-adler.com

制造商: 杜克普爱华工业制造(上海)有限公司  
中国上海浦东新区罗山路1201号 邮政编码:200135

联系单位: Dürkopp Adler AG, PO Box 17 03 51, D-33703 Bielefeld, Potsdamerstr. 190, D-33719 Bielefeld,  
Phone +49 (0) 521 9 25 00, Fax +49 (0) 521 9 25 24 35, www.duerkopp-adler.com

Edition: <b>03/2010</b>	Revision index <b>02.0</b>	Printed in China 中国印制	Part.-No.: <b>0791 281801</b>
----------------------------	-------------------------------	-----------------------	----------------------------------

# 281

**Table of contents**

**Table / 图表**

**目录**

Arm, bed plate, covers	1	机壳、底板及罩壳
Main shaft, thread take-up	2	上轴和挑线机构
Motor, lower shaft	3	马达和下轴部件
Thread tension, thread guide	4	过线系统
Bobbin winder, pretension	5	绕线器及其过线系统
Foot lifter mechanism, solenoid	6	抬压脚机构和自动抬压脚电磁铁
Stitch length mechanism	7	针距调节机构
Feed dog carrier	8	送料机构
Hook shaft bearing, hook	9	旋梭轴轴承、旋梭
Gear box cover, control box with operating panel	10	齿轮箱盖、电脑控制箱 及控制操作面板
Thread trimmer	11	剪线机构
Cable sets, push button switch	12	连接电线, 按钮开关
Accessory box	13	附件盒
Sewing equipments		缝纫附件
Sewing lamp		缝纫机灯
Edge guides		导边器

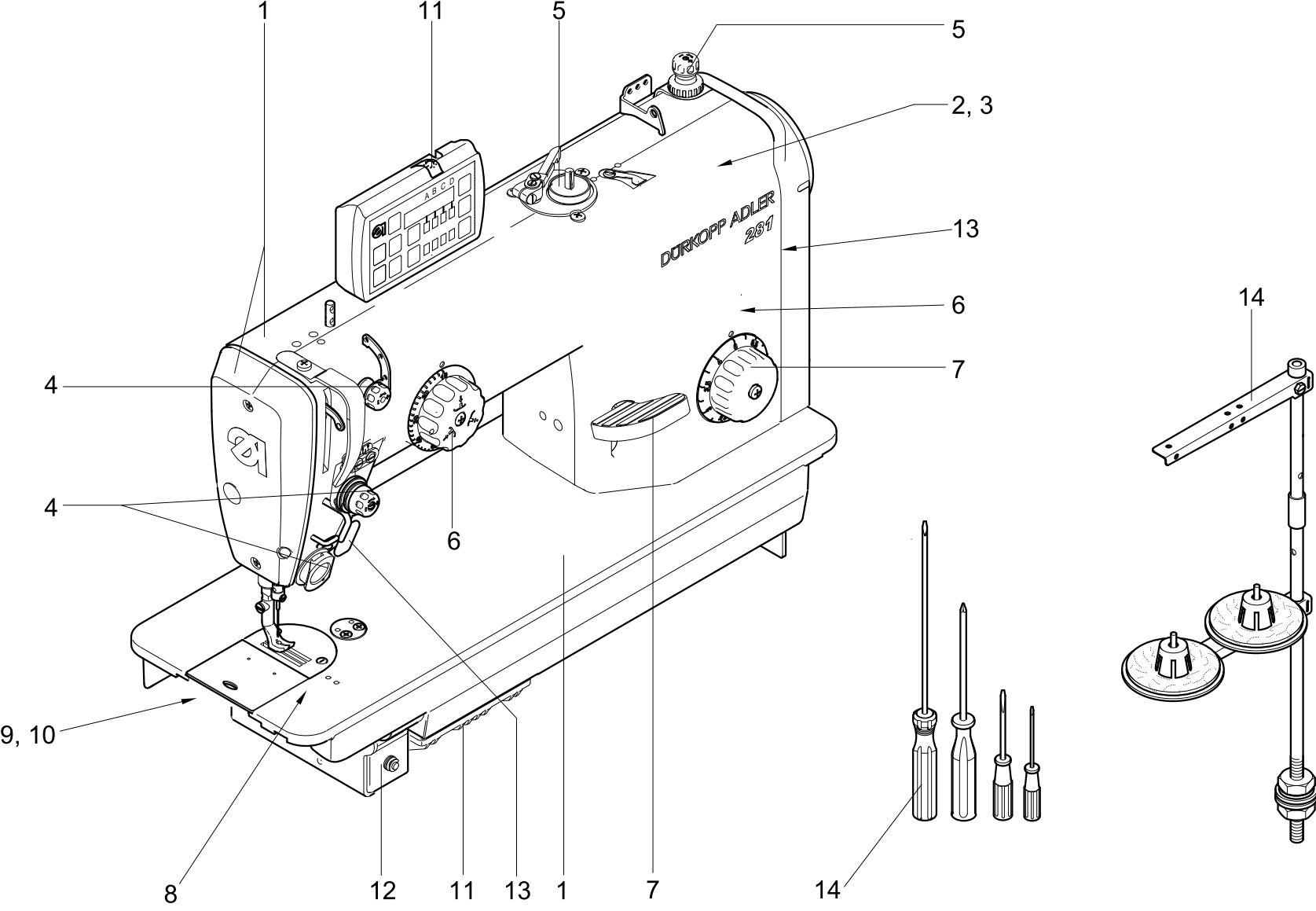
*All rights reserved.*

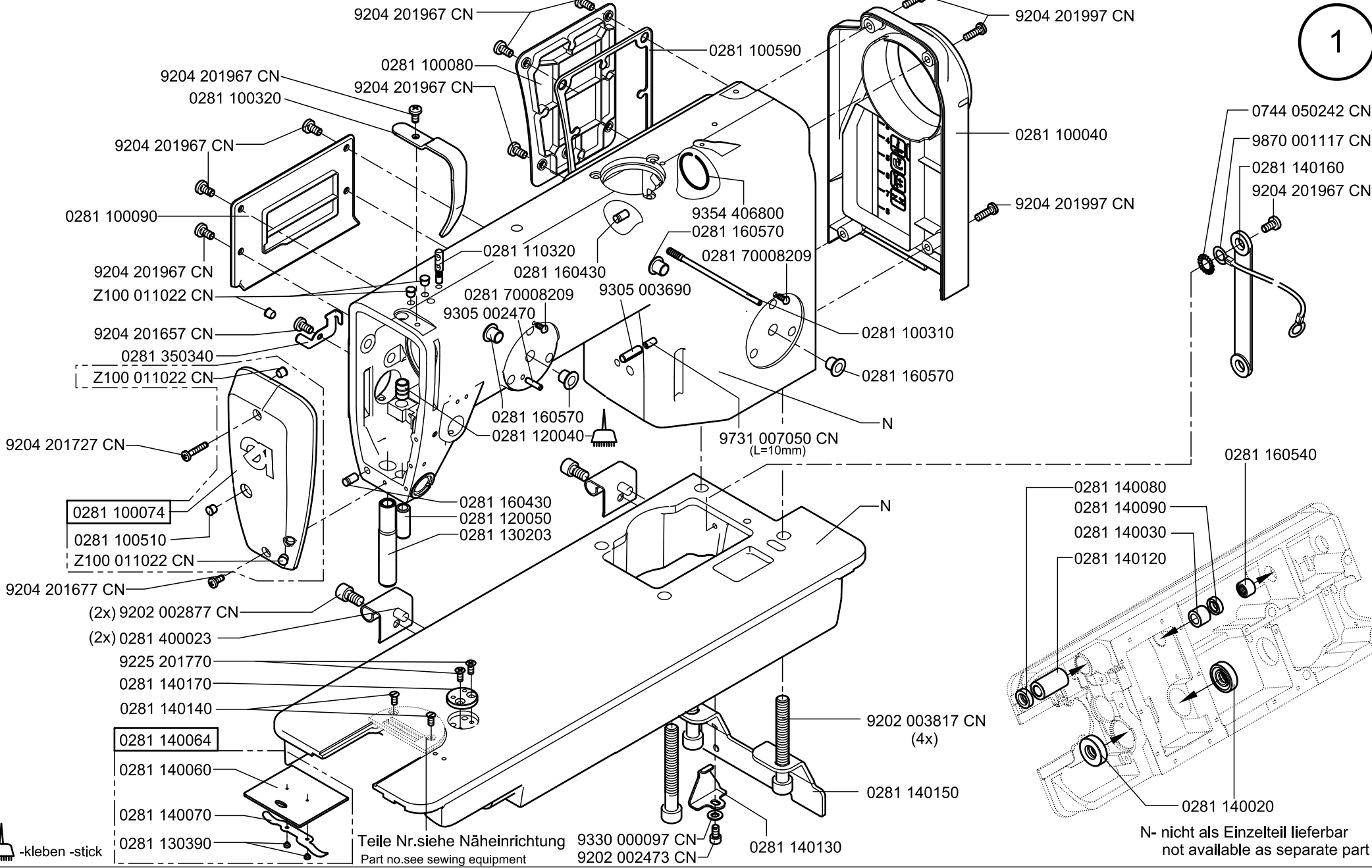
Property of Dürkopp Adler and copyrighted. Reproduction or publication of the content in any manner, even in extracts, without prior written permission of Dürkopp Adler, is prohibited.

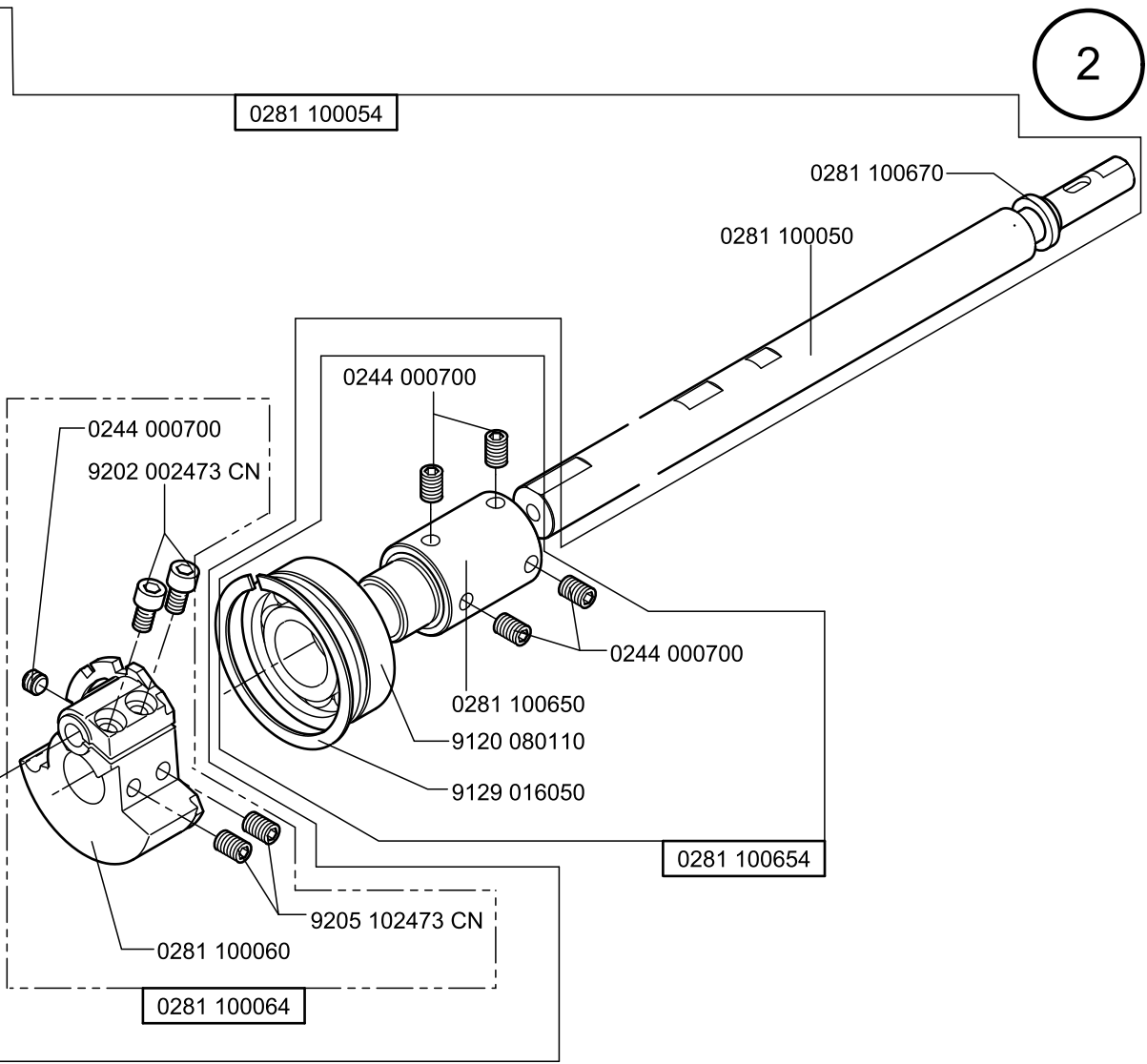
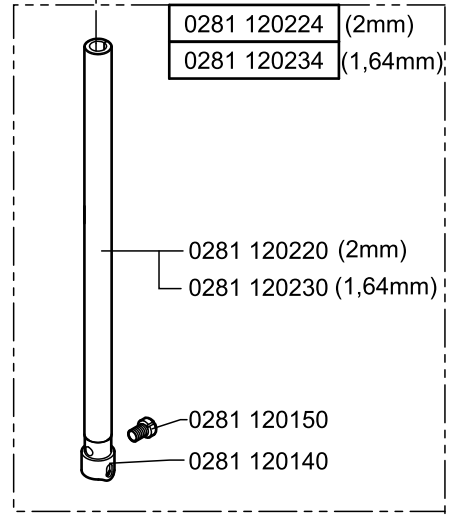
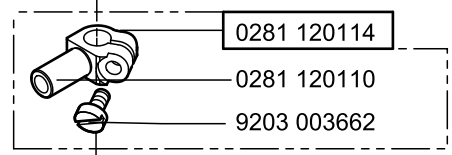
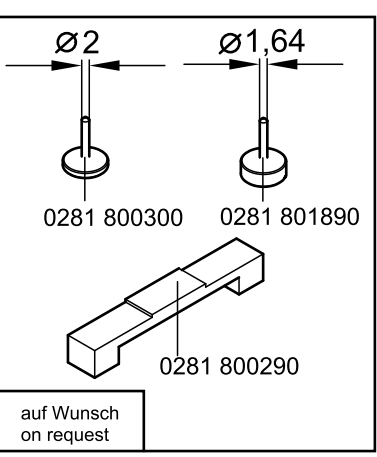
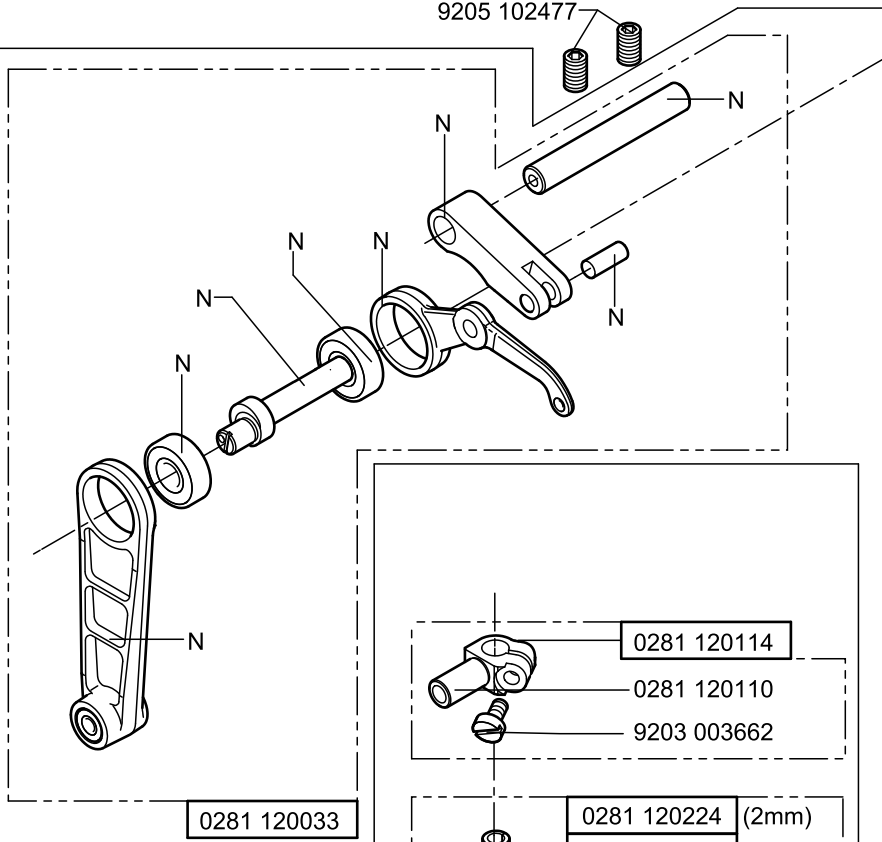
版权所有，不许翻印

版权和产权归杜克普爱华有限公司所有。未经杜克普爱华有限公司书面许可，禁止以任何方式翻印或复印本内容，包括摘要。

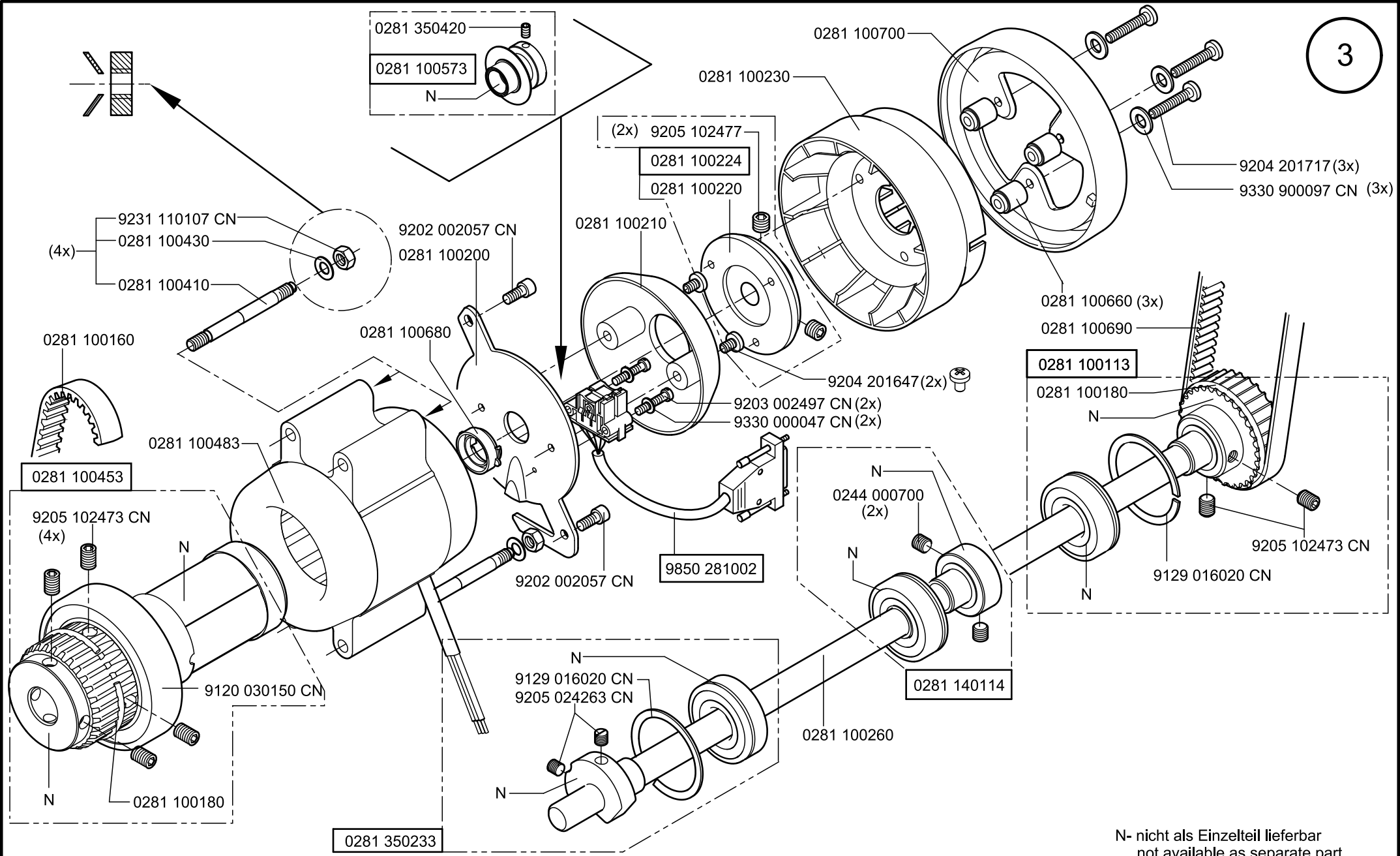
**Copyright © Dürkopp Adler - 2010**



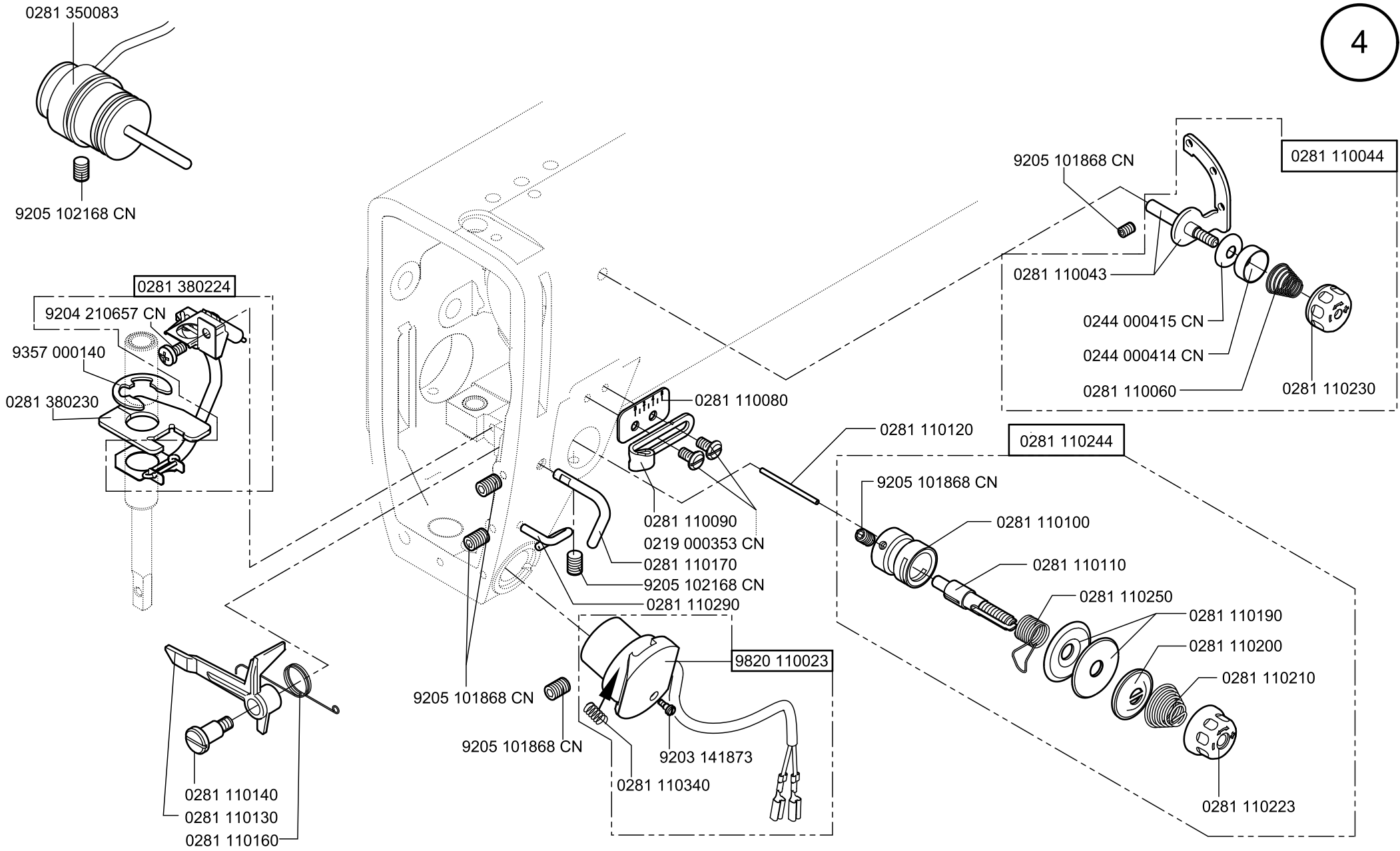


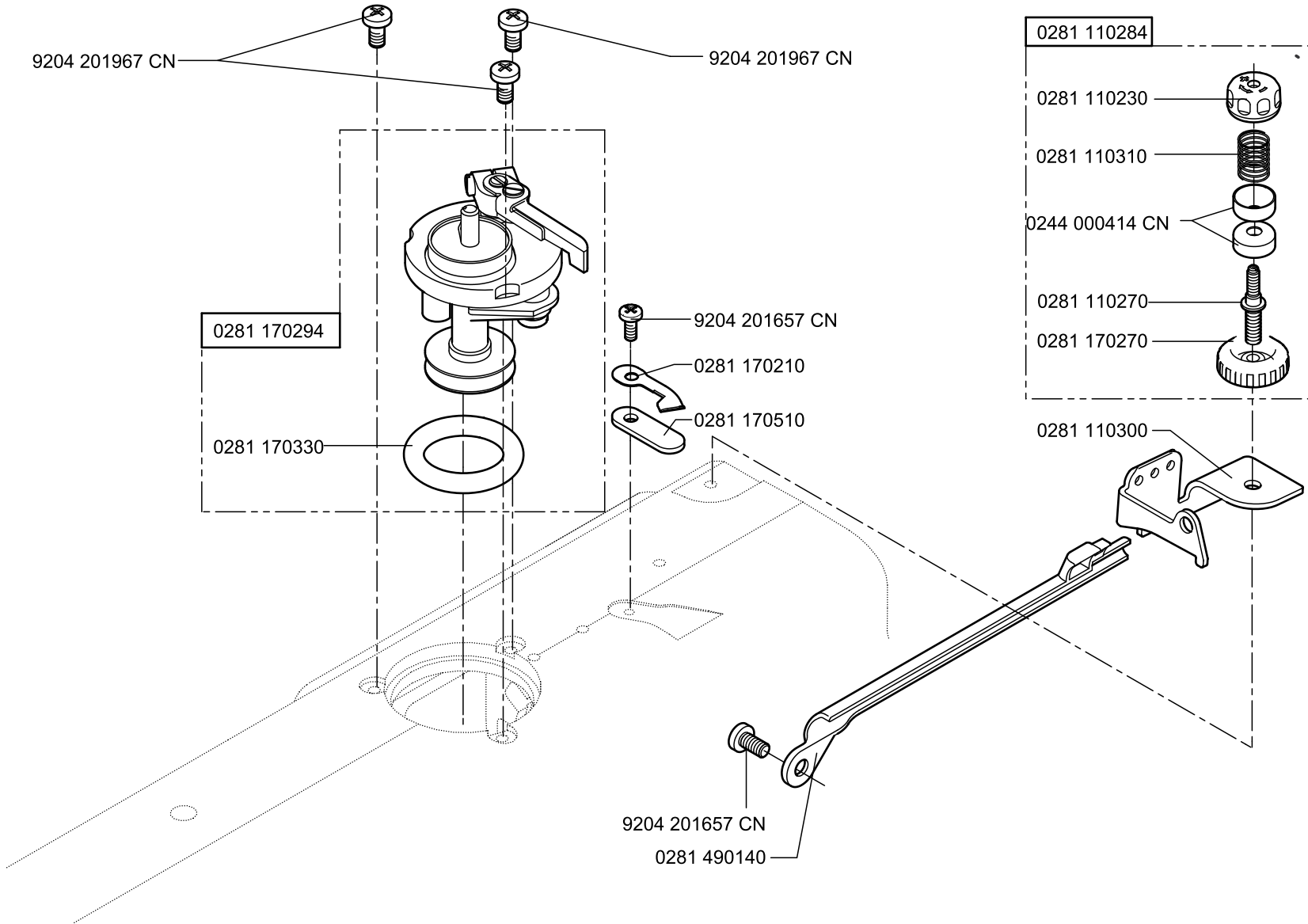


N- nicht als Einzelteil lieferbar  
not available as separate part

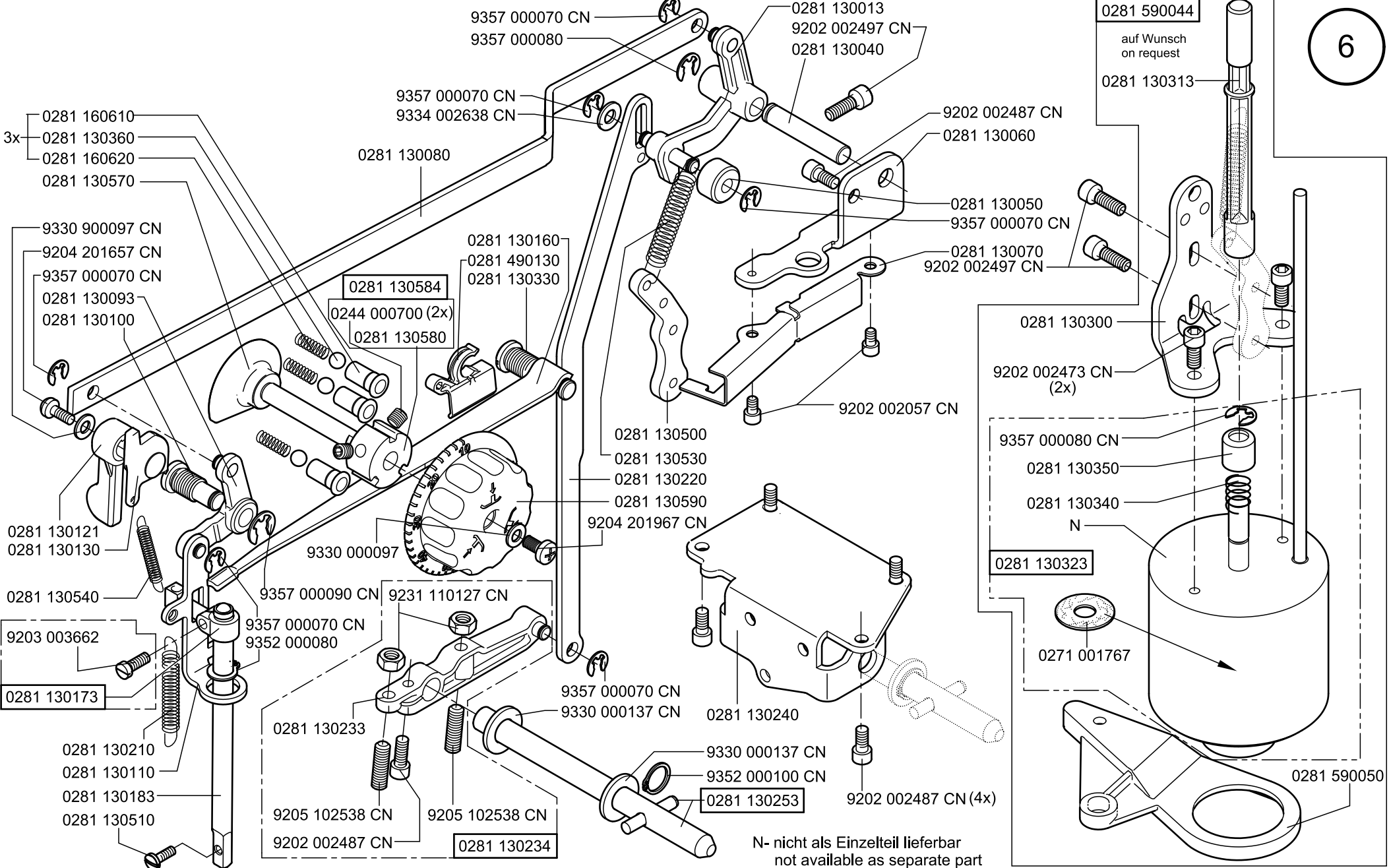


N- nicht als Einzelteil lieferbar  
not available as separate part









3x  
 0281 160610  
 0281 130360  
 0281 160620  
 0281 130570

9330 900097 CN  
 9204 201657 CN  
 9357 000070 CN  
 0281 130093  
 0281 130100

0281 130121  
 0281 130130

0281 130540

9203 003662

0281 130173

0281 130210  
 0281 130110  
 0281 130183  
 0281 130510

9357 000070 CN  
 9334 002638 CN

0281 130080

0281 130584  
 0244 000700 (2x)  
 0281 130580

0281 130160  
 0281 490130  
 0281 130330

9357 000090 CN  
 9231 110127 CN

9357 000070 CN  
 9352 000080

0281 130233

9205 102538 CN  
 9205 102538 CN

9202 002487 CN

0281 130234

9357 000070 CN  
 9357 000080

0281 130013  
 9202 002497 CN  
 0281 130040

9202 002487 CN  
 0281 130060

0281 130050  
 9357 000070 CN

0281 130070  
 9202 002497 CN

0281 130500  
 0281 130530  
 0281 130220  
 0281 130590  
 9204 201967 CN

9357 000070 CN  
 9330 000137 CN

0281 130240

9330 000137 CN  
 9352 000100 CN

0281 130253

9202 002487 CN (4x)

0281 590044

auf Wunsch  
 on request

0281 130313

0281 130300

9202 002473 CN  
 (2x)

9357 000080 CN

0281 130350

0281 130340

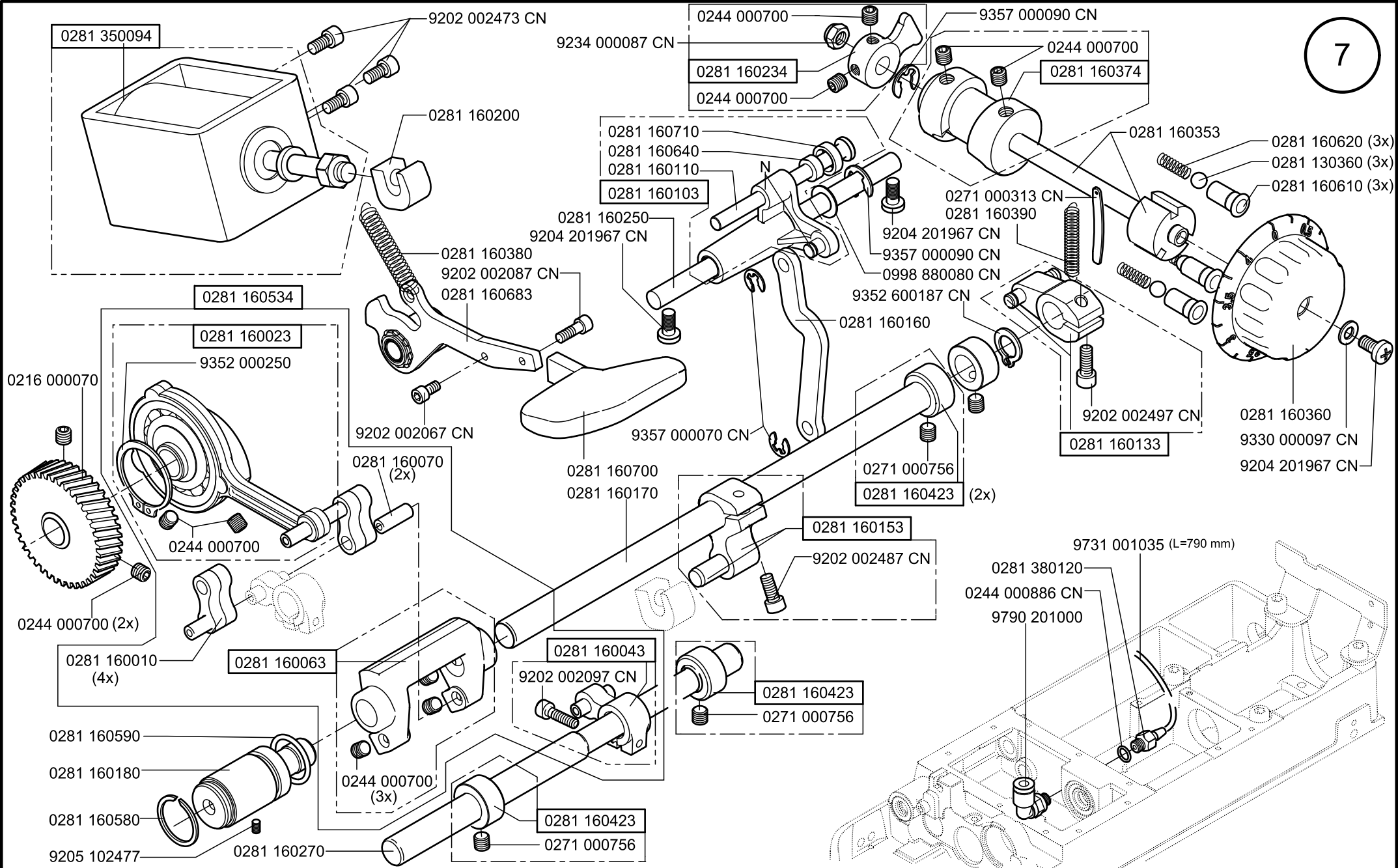
N

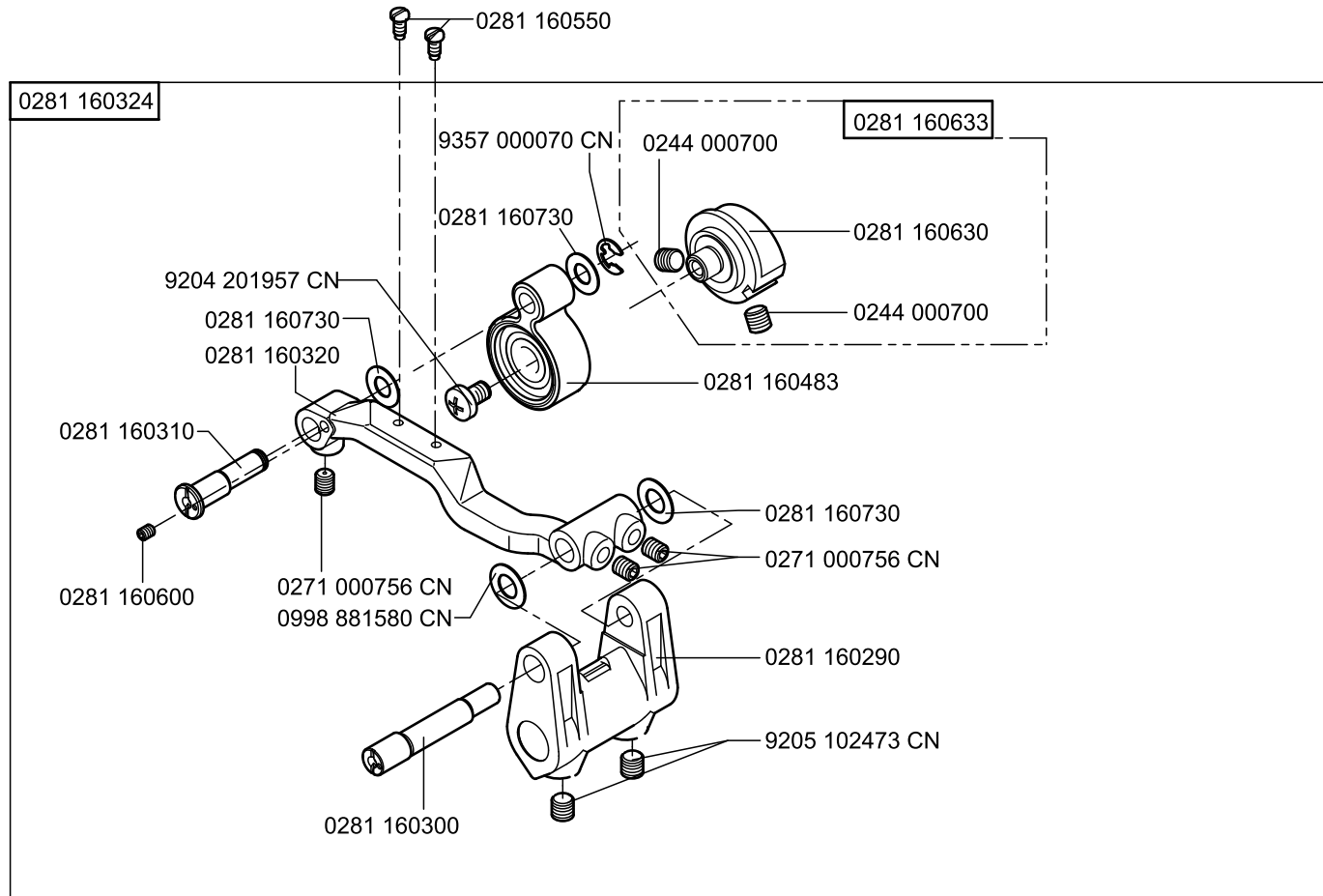
0281 130323

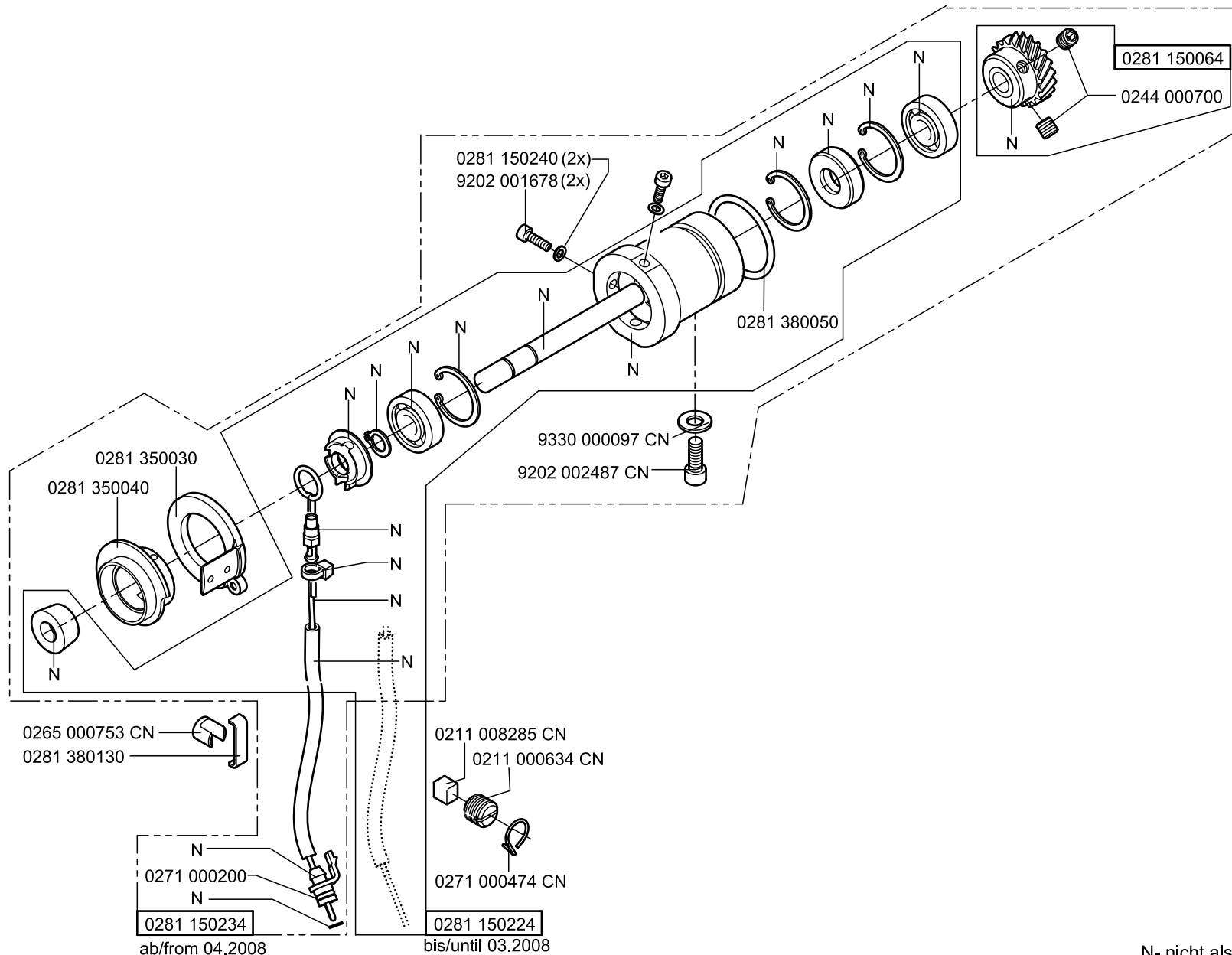
0271 001767

0281 590050

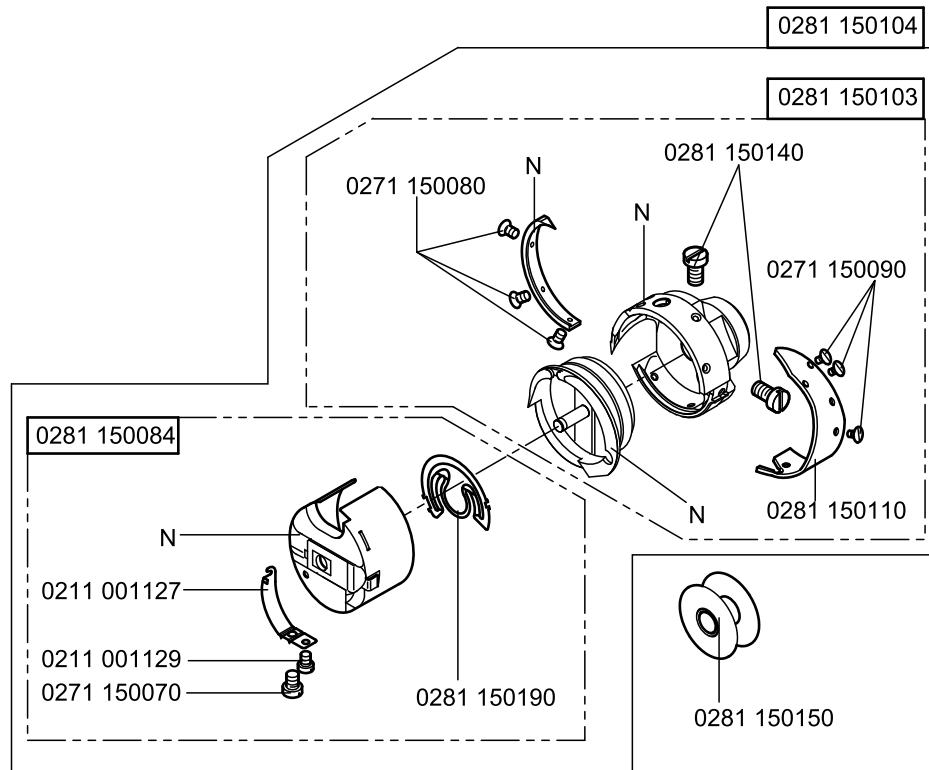
N- nicht als Einzelteil lieferbar  
 not available as separate part





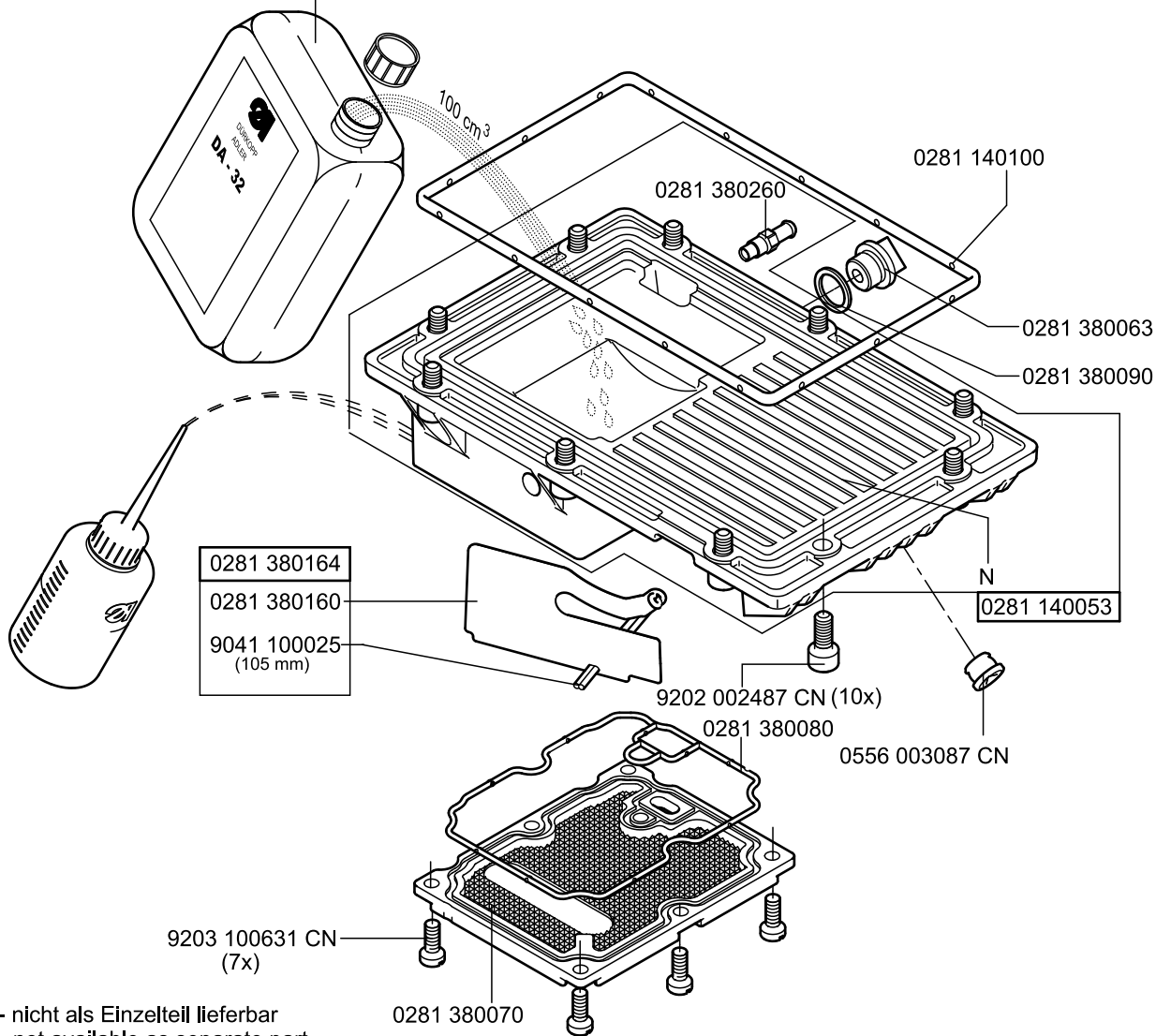


N- nicht als Einzelteil lieferbar  
not available as separate part



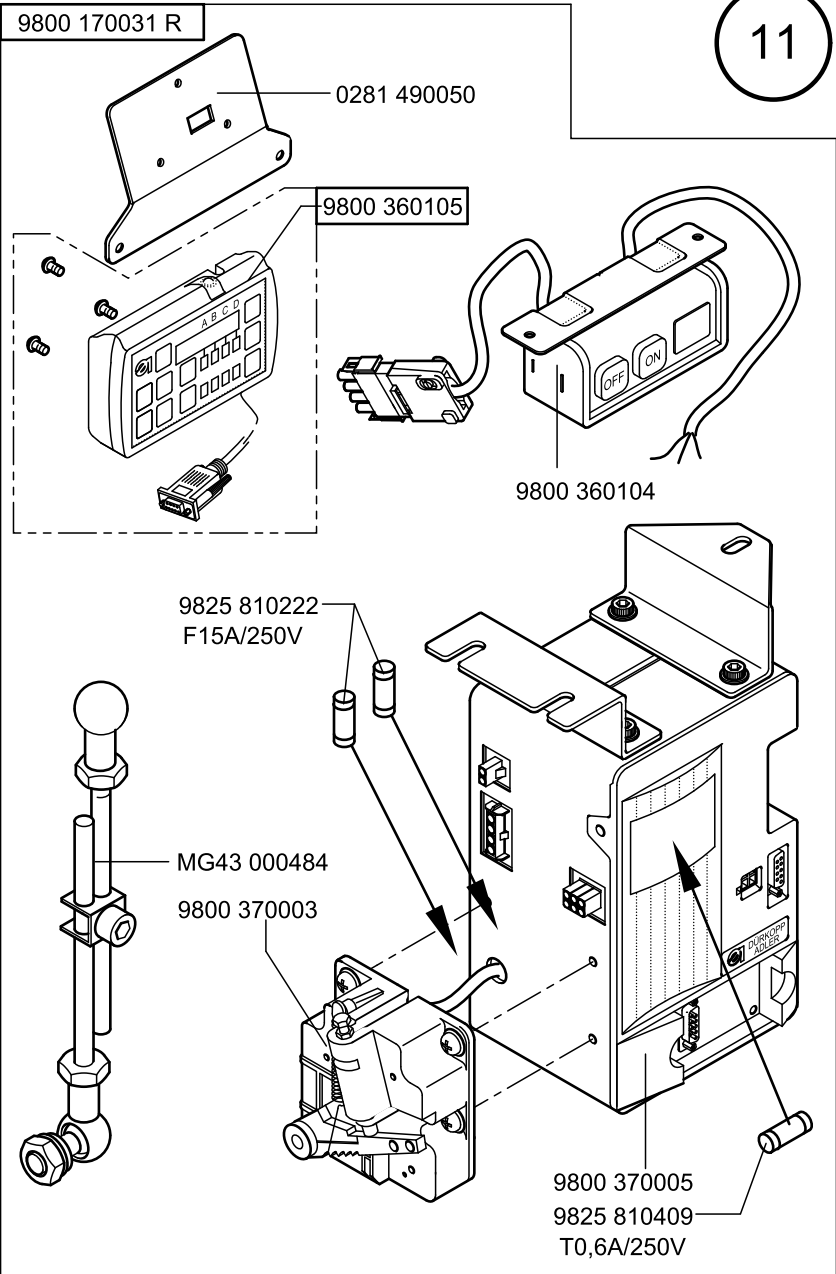
N- nicht als Einzelteil lieferbar  
not available as separate part

(Getriebe/gearbox)  
9047 000032

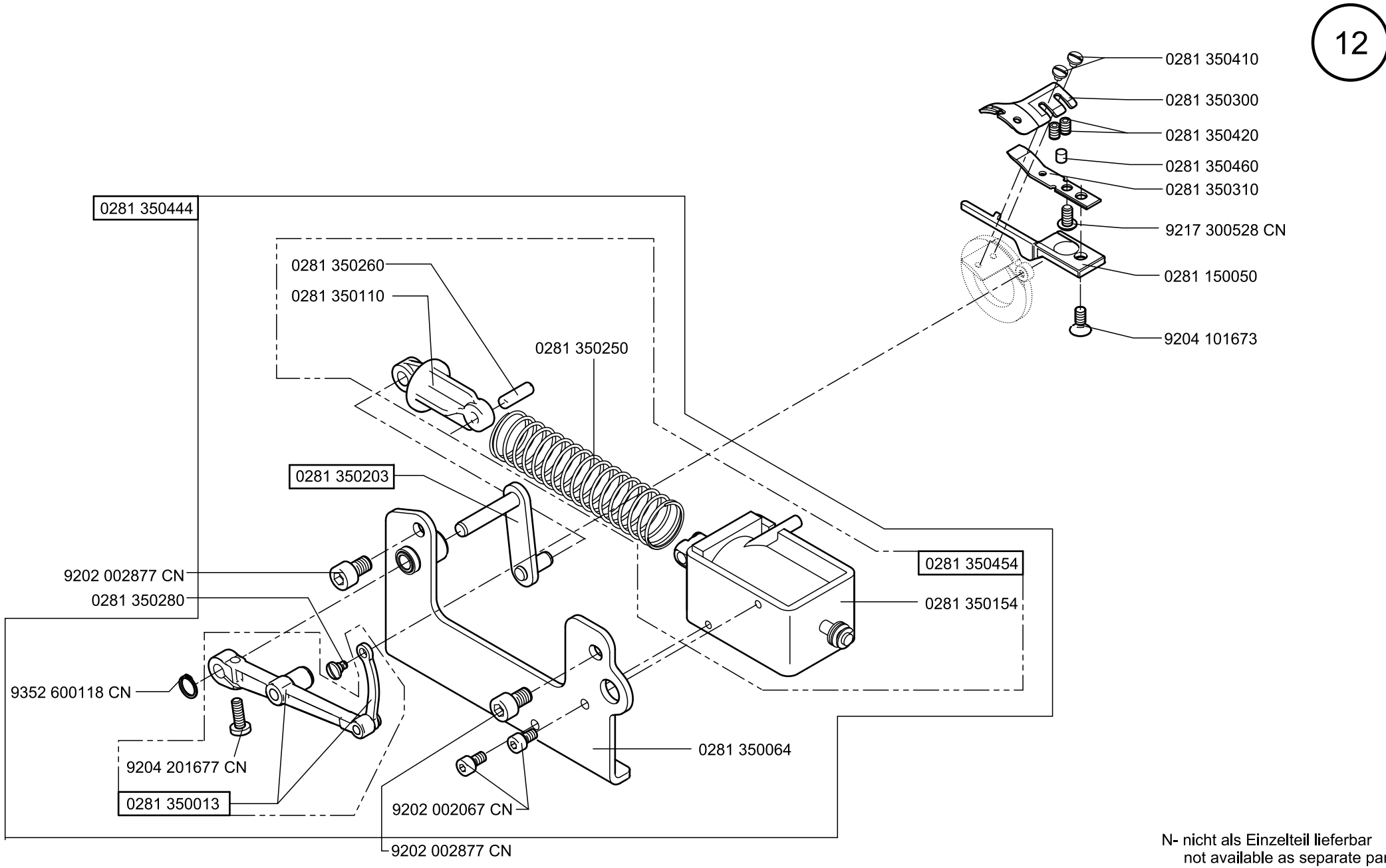


- 0281 380164
- 0281 380160
- 9041 100025  
(105 mm)

N  
0281 140053



N- nicht als Einzelteil lieferbar  
not available as separate part



0281 350444

0281 350260

0281 350110

0281 350250

0281 350203

9202 002877 CN

0281 350280

0281 350454

0281 350154

9352 600118 CN

9204 201677 CN

0281 350013

9202 002067 CN

9202 002877 CN

0281 350064

0281 350410

0281 350300

0281 350420

0281 350460

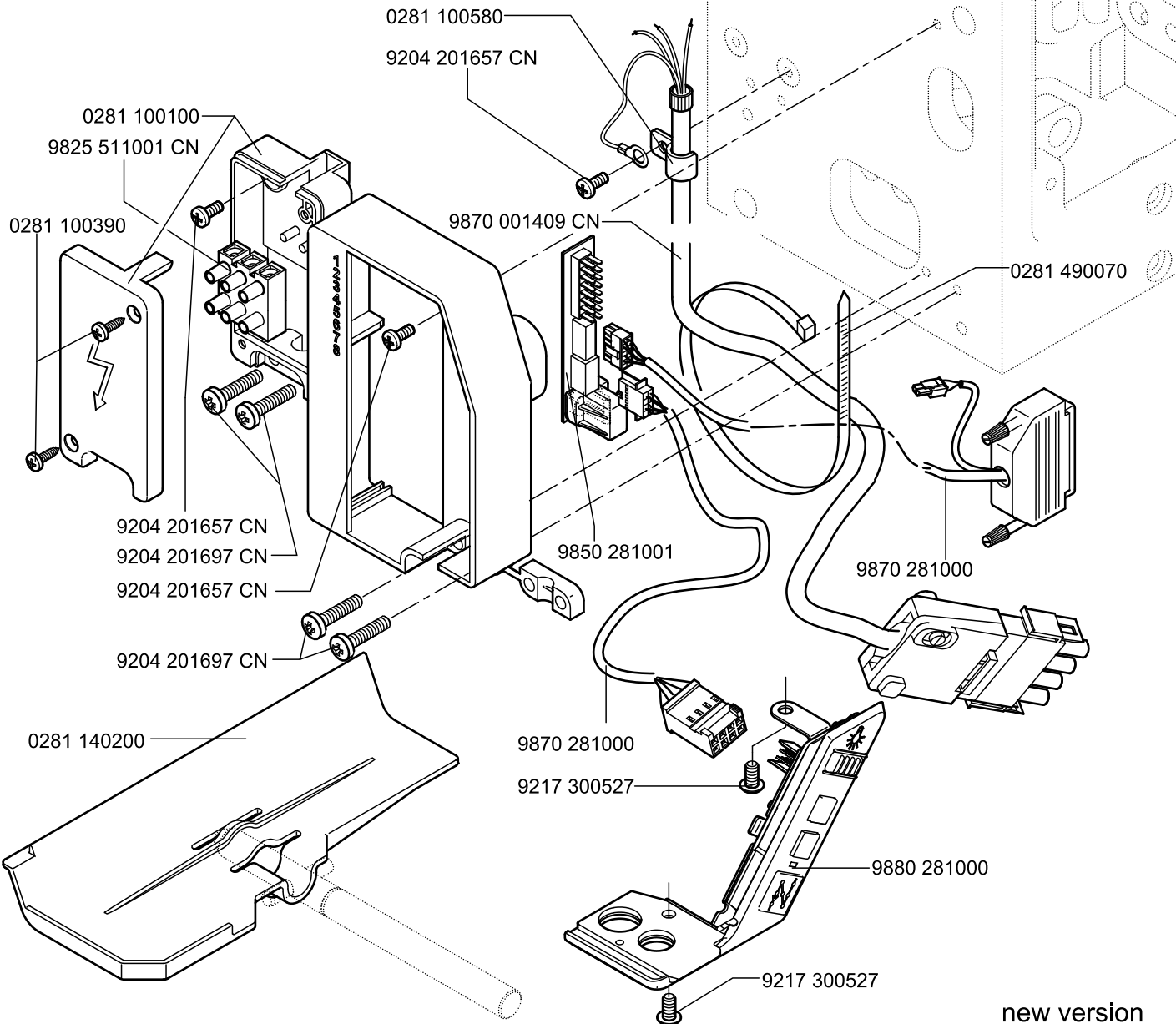
0281 350310

9217 300528 CN

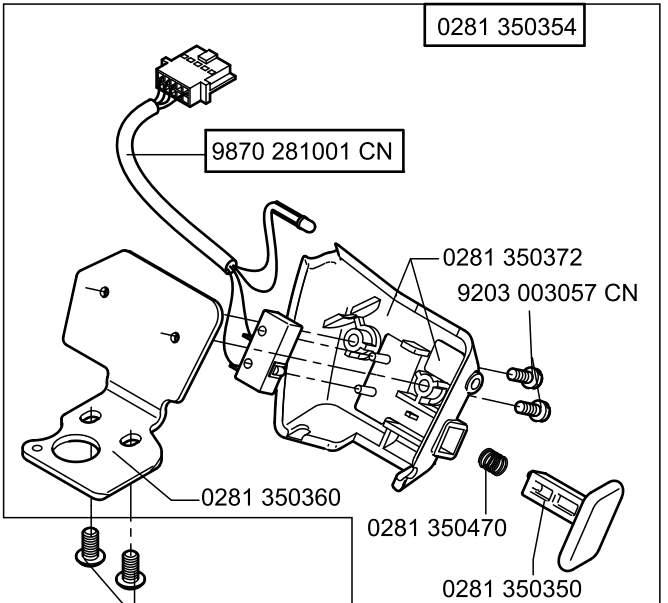
0281 150050

9204 101673

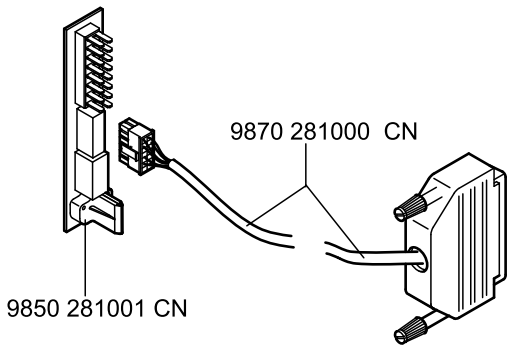
N- nicht als Einzelteil lieferbar  
not available as separate part



new version



9217 300527



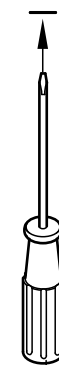
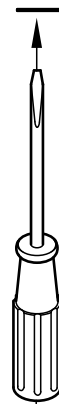
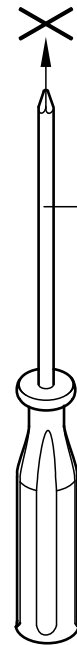
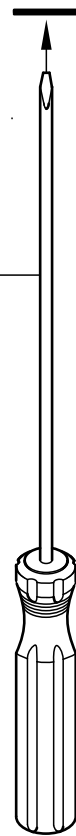
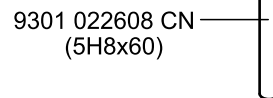
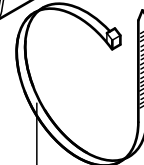
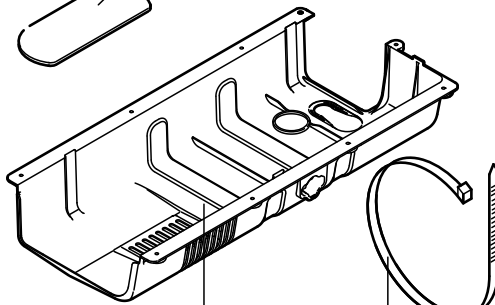
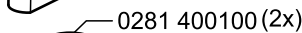
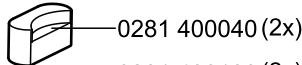
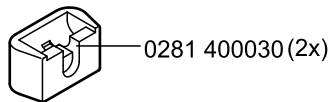
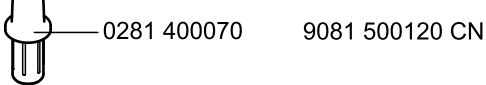
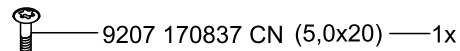
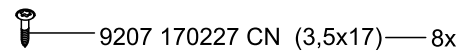
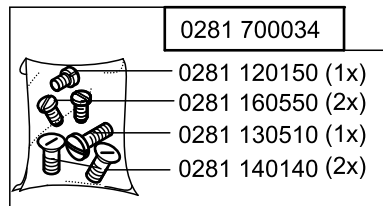
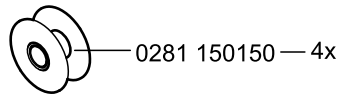
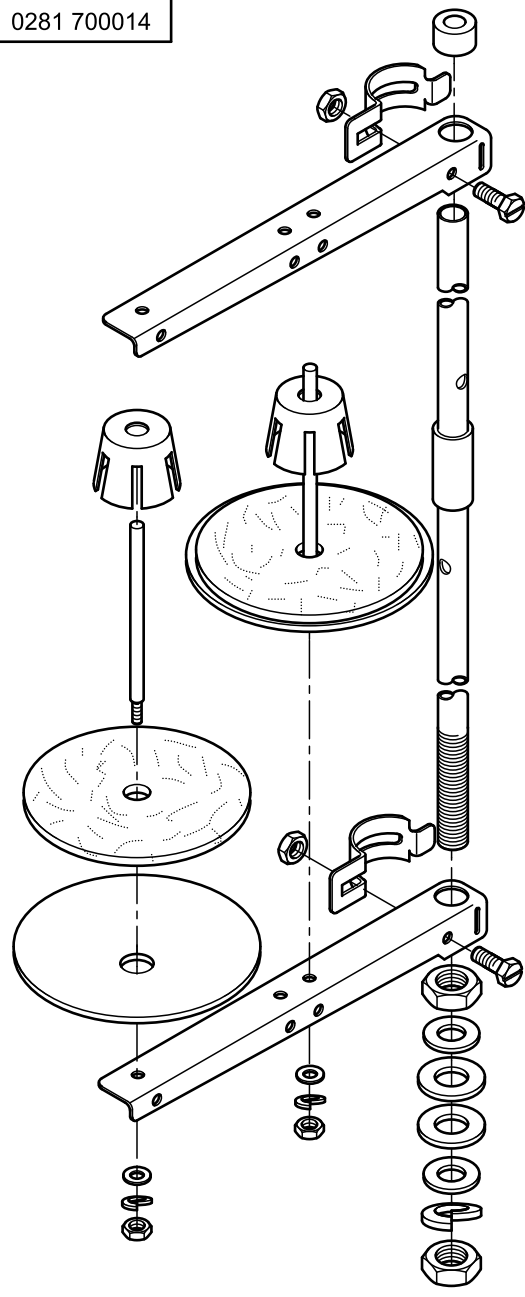
9850 281001 CN

9870 281000 CN

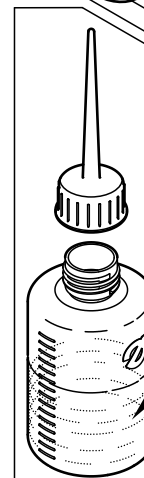
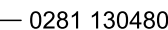
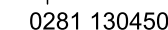
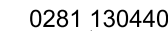
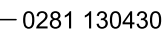
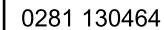
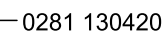
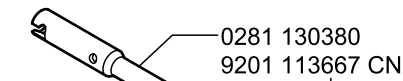
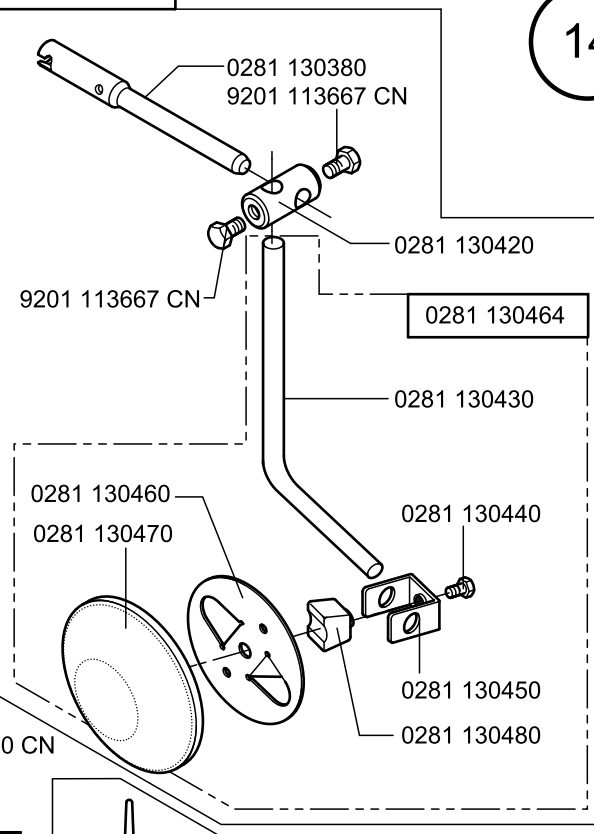
old version



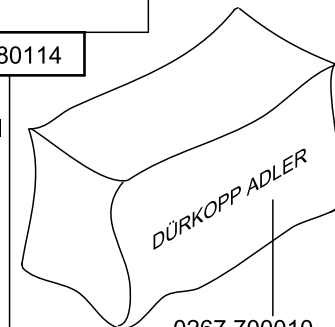
0281 700014



0281 130374



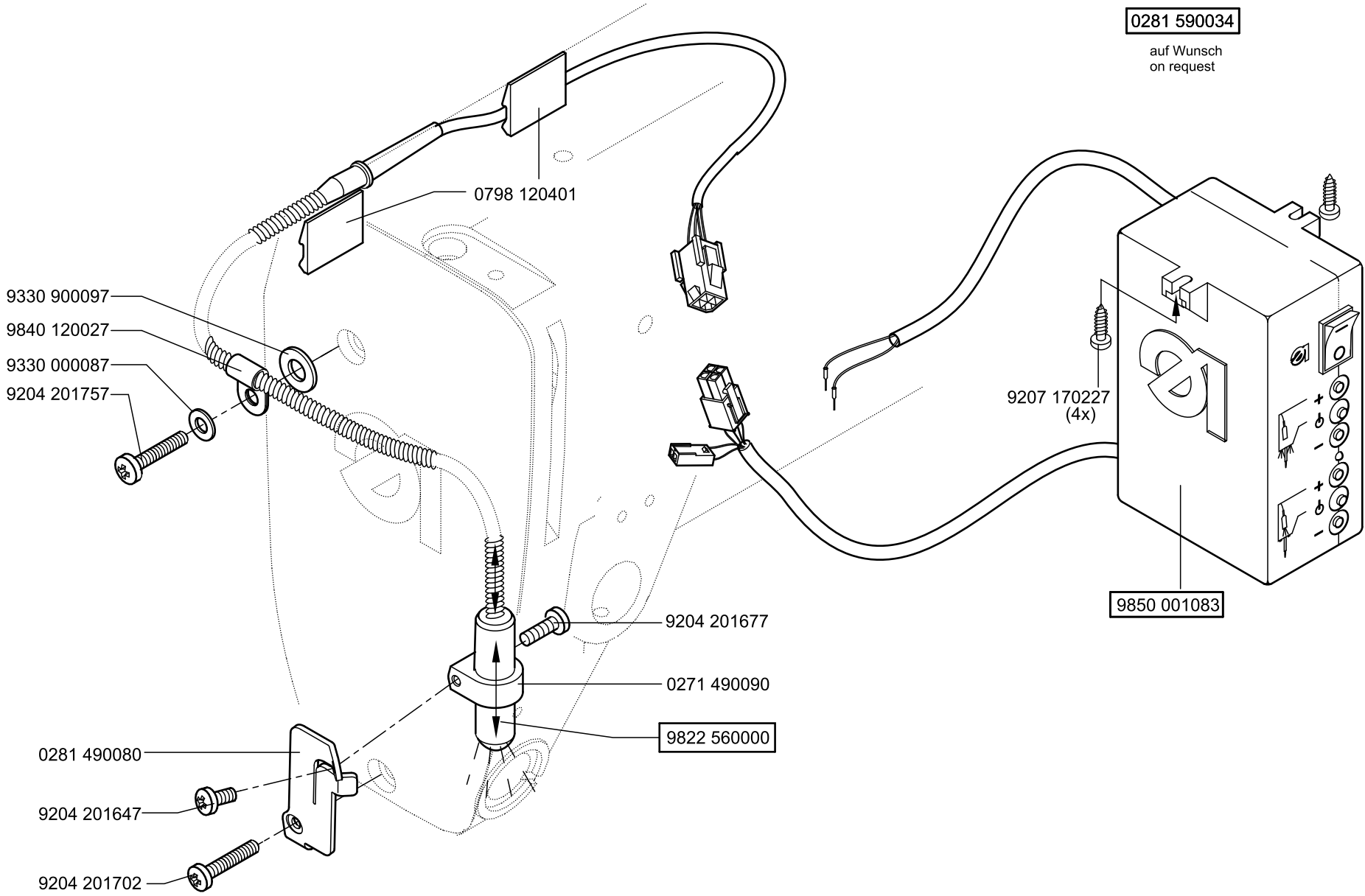
0281 380114



14

0281 590034

auf Wunsch  
on request



9330 900097

9840 120027

9330 000087

9204 201757

0798 120401

9204 201677

0271 490090

9822 560000

9207 170227  
(4x)

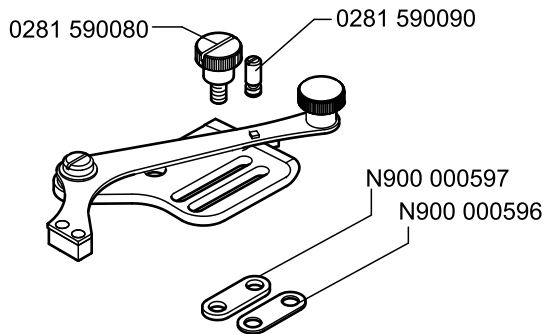
9850 001083

0281 490080

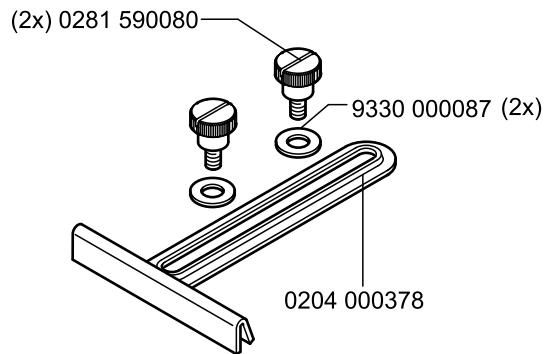
9204 201647

9204 201702

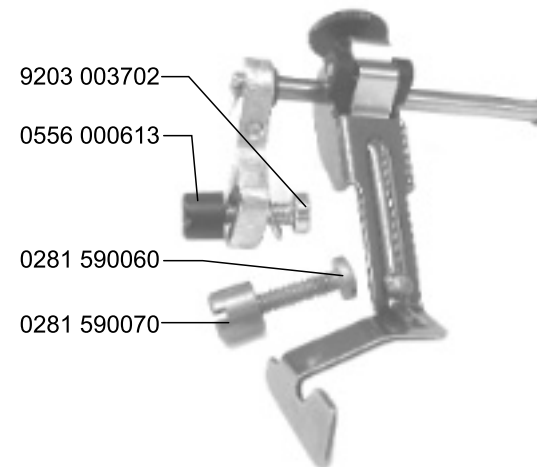
N900 012015 auf Wunsch  
on request



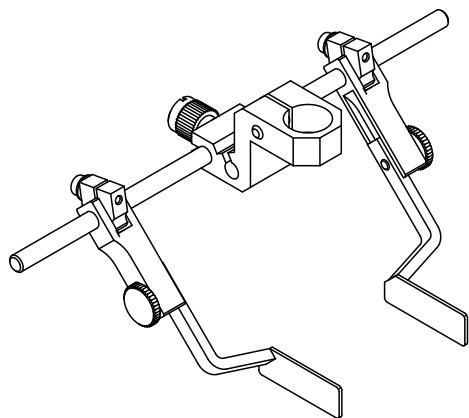
N900 011038 auf Wunsch  
on request



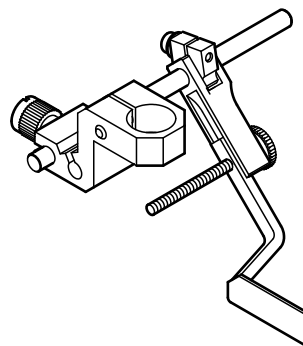
N900 023421 auf Wunsch  
on request

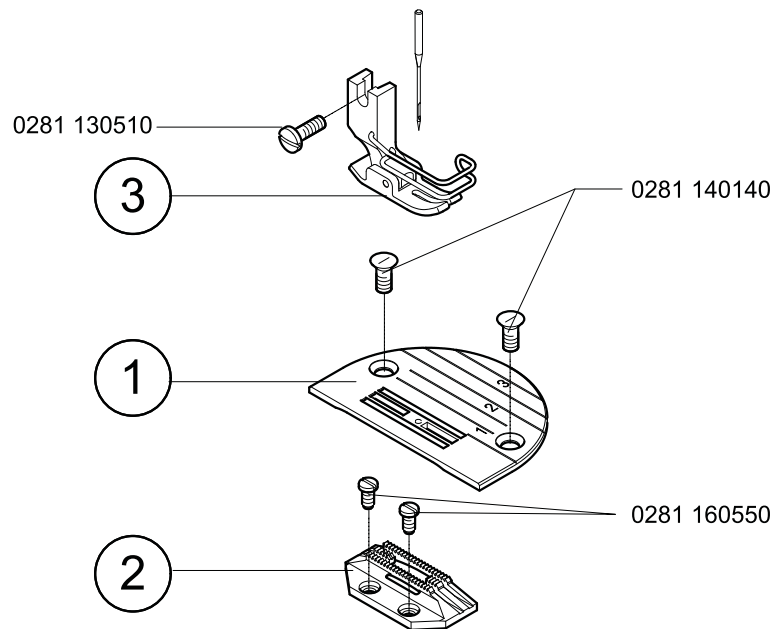


N900 020023 auf Wunsch  
on request



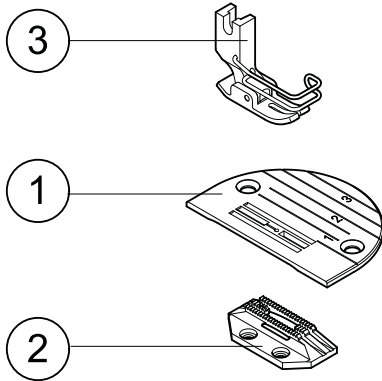
N900 020021 auf Wunsch  
on request



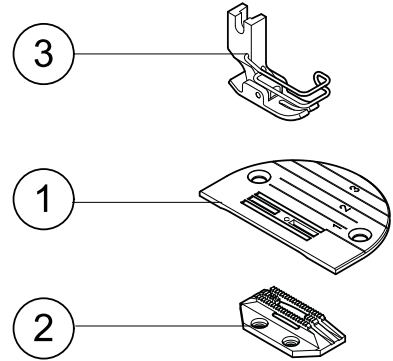




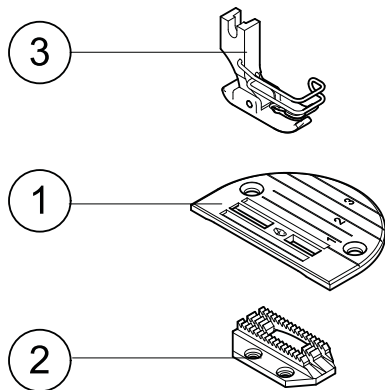
E1



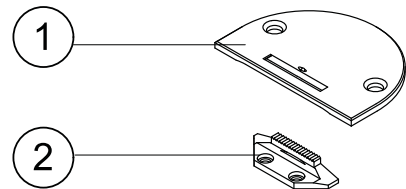
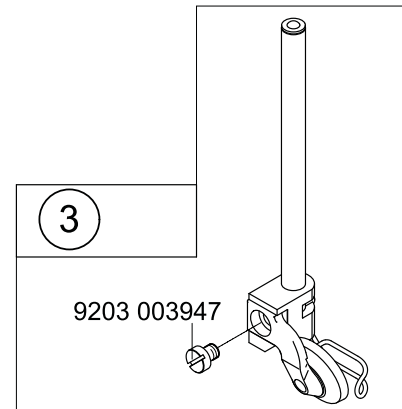
E2



E3

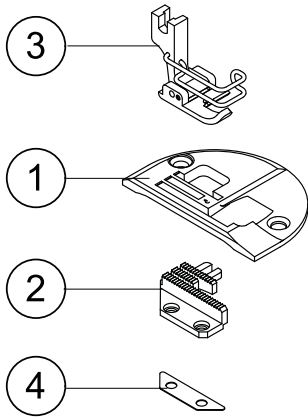


E20

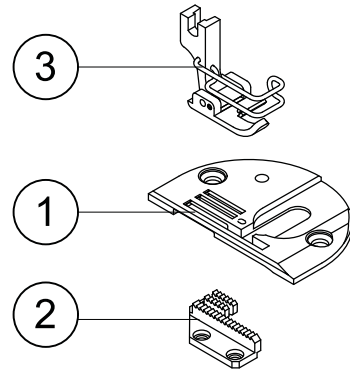




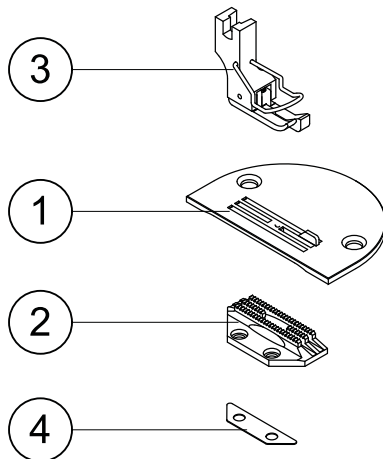
E50



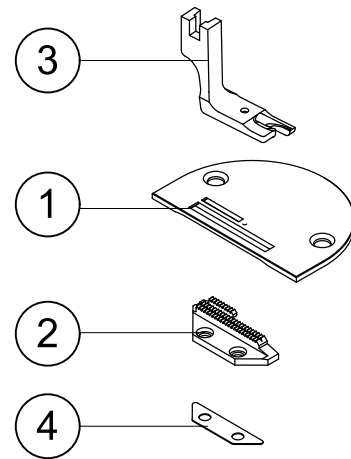
E51



E66



E70





E-No. E-No. Fig.No. Fig.-No.	For Subclass / For Subclass Use / Use	Material No. / Material No.	① Throat plate / Throat plate Stitch hole size / Stitch hole size mm	③ Sewing foot / Sewing foot	④ Roller foot / Roller foot Spacer / Spacer	② Feed dog serrated / Feed dog serrated mm	Needle / Needle ④ Needle / Needle ⑤ Needle system / -size / Needle system / -size ④ Needle system / -size / Needle system / -size ⑤
E1	-140342; -140442 (0281-990110; 0281-990120) <sup>4)</sup> -140342; -140442 (0281-990010; 0281-990020) <sup>5)</sup>  Sewing equipment for general sewing in light weight material. Max. stitch length 3.5 mm Articulated foot.  <i>Sewing equipment for general sewing in light weight material. Max. stitch length 3.5 mm Articulated foot.</i>	0281 E00001 20	0281 200110 Ø 1,3	0281 220114		0281 210110; 0,7	DB x 1 9092 013400 070 DB x 1 # 9 134/70
E2	-140342; -140442 (0281-990110; 0281-990120) <sup>4)</sup> -140342; -140442 (0281-990010; 0281-990020) <sup>5)</sup>  Sewing equipment for general sewing in light to medium weight material. Max. stitch length 4.5 mm. Articulated foot.  <i>Sewing equipment for general sewing in light to medium weight material. Max. stitch length 4.5 mm. Articulated foot.</i>	0281 E00002 20	0281 200120 Ø 1,6	0281 220024		0281 210120; 1,1	DB x 1 9092 013400 080 DB x 1 # 12 134/80
E3	-140342 (0281-990110) <sup>4)</sup> -140342 (0281-990010) <sup>5)</sup>  Sewing equipment for general sewing in medium weight material. Max. stitch length 4.5 mm Articulated foot.  <i>Sewing equipment for general sewing in medium weight material. Max. stitch length 4.5 mm Articulated foot.</i>	0281 E00003 20	0281 200130 Ø 2,0	0281 220034		0281 210130; 1,6	DB x 1 9092 013400 100 DB x 1 # 16 134/100
E20	-140342; -140442  Sewing equipment for stitching operations, with roller foot for light weight leather. Max. stitch length 4.5 mm. Needle size Nm 80 - 100.  <i>Sewing equipment for stitching operations, with roller foot for light weight leather. Max. stitch length 4.5 mm. Needle size Nm 80 - 100.</i>	0281 E00020 20	0271 006507 Ø 1,5	0281 220064		0271 006606; 1,2	9092 013406 090 134LR/90

4) only for China / only for China  
5) for the rest of the world / for the rest of the world



E-No. E-No. Fig.No. Fig.-No.	For Subclass / For Subclass Use / Use	Material No. / Material No.	① Throat plate / Throat plate	Stitch hole size / Stitch hole size mm	③ Sewing foot / Sewing foot	Roller foot / Roller foot	④ Spacer / Spacer	② Feed dog serrated / Feed dog serrated mm					Material presser bar / Material presser bar	Needle / Needle	Needle system / -size / Needle system / -size
E50	-140342; -140442  Sewing equipment for binding operations with the mobile binder N900 003441 / N015 in very light weight material. Max. stitch length 4.5 mm. Needle size Nm 65 - 80.  <i>Sewing equipment for binding operations with the mobile binder N900 003441 / N015 in very light weight material. Max. stitch length 4.5 mm. Needle size Nm 65 - 80.</i>	0281 E00050 20	0271 006524	Ø 1,3	0204 000886		0271 006618	0281 210050; 1,2					9092 013440 070G		134 SAN 10-70
E51	-140342; -140442  Sewing equipment for binding operations according to N014, N015 and N017 in medium weight material. Max. stitch length 4 mm Needle size Nm 80 - 100.  <i>Sewing equipment for binding operations according to N014, N015 and N017 in medium weight material. Max. stitch length 4 mm Needle size Nm 80 - 100.</i>	0281 E00051 20	0220 001521	2,7 x 1,8	0204 000886			0271 006604; 1,6					9092 013400 100		134/100
E66	-140342; -140442  Sewing equipment for general sewing in light to medium weight material. Max. stitch length 4.5 mm. Needle size Nm 70 - 100. Articulated foot.  <i>Sewing equipment for general sewing in light to medium weight material. Max. stitch length 4.5 mm. Needle size Nm 70 - 100. Articulated foot.</i>	0281 E00066 20	0271 006525	Ø 1,2	0271 006818		0271 006618	0275 210090; 1,2					9092 013440 070G		134 SAN 10-70
E70	-140342; -140442  Sewing equipment for general sewing in light to medium weight material. Max. stitch length 4.5 mm. Needle size Nm 70 - 100. Articulated foot.  <i>Sewing equipment for general sewing in light to medium weight material. Max. stitch length 4.5 mm. Needle size Nm 70 - 100. Articulated foot.</i>	0281 E00070 20	0271 006523	Ø 1,2	0204 002520		0271 006618	0271 006619; 1,2					9092 013440 070G		134 SAN 10-70