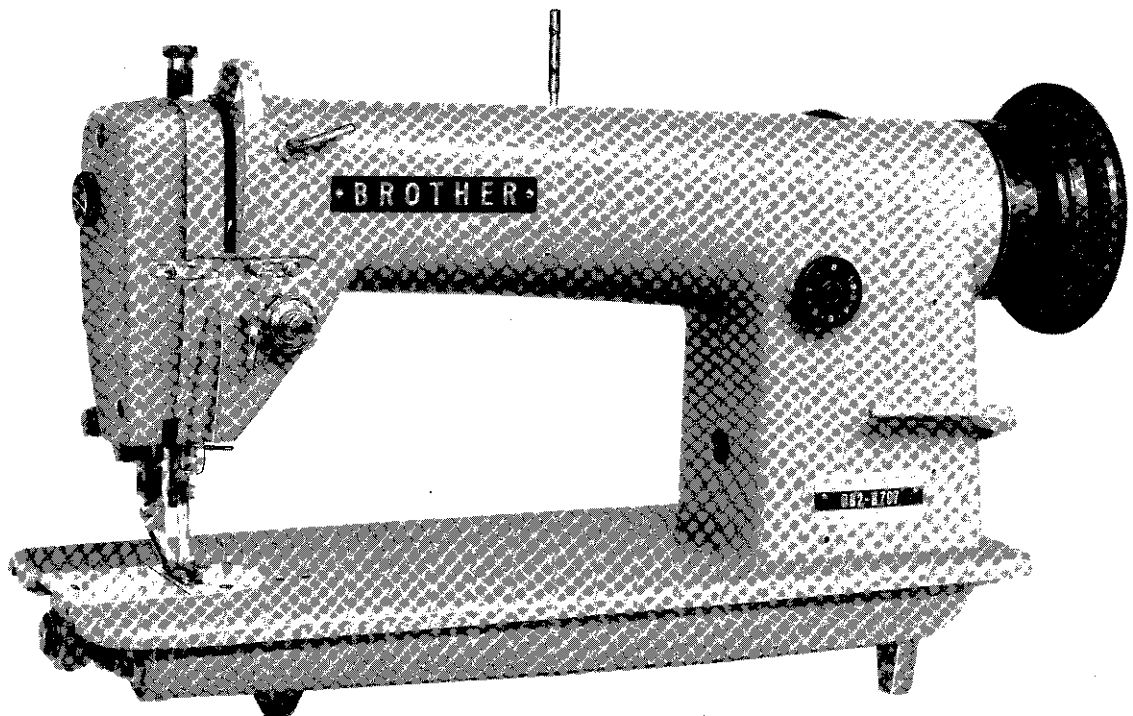


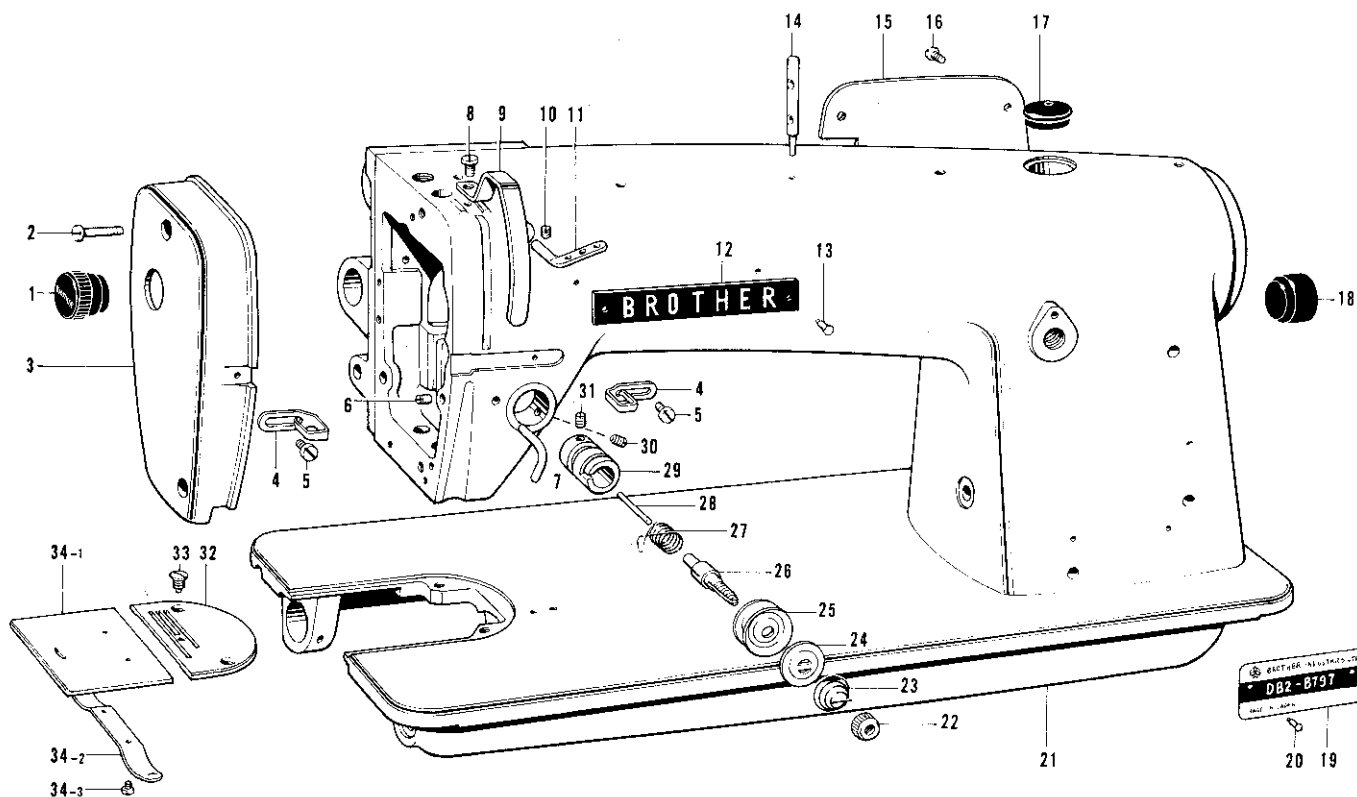
PARTS BOOK
FOR
BROTHER DB2-B797



Upper And Lower Feed Lock Stitcher

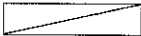
BROTHER INDUSTRIES, LTD.
NAGOYA, JAPAN

A. Machine Body



Ref. No.	Name of Parts	Q'ty	Parts No.	Assembly No.	Ref. No.	Name of Parts	Q'ty	Parts No.	Assembly No.
A-1	Oil Cap	1	112782-0-01		A-19	Model Plate	1		
A-2	Screw	2	118475-0-01		A-20	Pin	2		
A-3	Face Plate	1	150478-0-01		A-21	Arm Bed Assembly	1		
A-4	Thread Retainer	2	147339-0-01		A-22	Nut	1	100136-0-01	
A-5	Screw	2	009670-6-14		A-23	Tension Spring	1	148924-1-01	
A-6	Screw	1	013680-6-12		A-24	Tension Disc Washer	1	100134-0-01	
A-7	Thread Guide	1	116112-0-01		A-25	Tension Disc	2	145446-0-01	
A-8	Screw	1	009680-7-12		A-26	Tension Stud	1	100398-0-01	
A-9	Thread Tack-up Cover	1	147338-0-01		A-27	Thread Tack-up Spring	1	148923-0-01	
A-10	Screw	1	013680-6-12		A-28	Tension Release Pin	1	100400-0-00	
A-11	Thread Retainer	1	114931-0-01		A-29	Tension Bracket	1	145250-0-01	
A-12	Name Plate "BROTHER"	1			A-30	Screw	1	103950-0-02	
A-13	Pin	2			A-31	Screw	1	100402-0-04	
A-14	Spool Pin	1	147557-0-01		A-32	Needle Plate	1	150492-0-01	
A-15	Rear Cover	1	150474-0-01		A-33	Screw	2	100032-0-03	
A-16	Screw	3	009670-6-12		A-34-1	Slide Plate	1		A-34 Slide Plate Assembly 118289-0-01
A-17	Oil Cap	1	141744-0-01		A-34-2	Slide Plate Spring	1	114561-0-01	
A-18	Oil Cap	1	104451-0-01		A-34-3	Screw	2	122771-0-01	

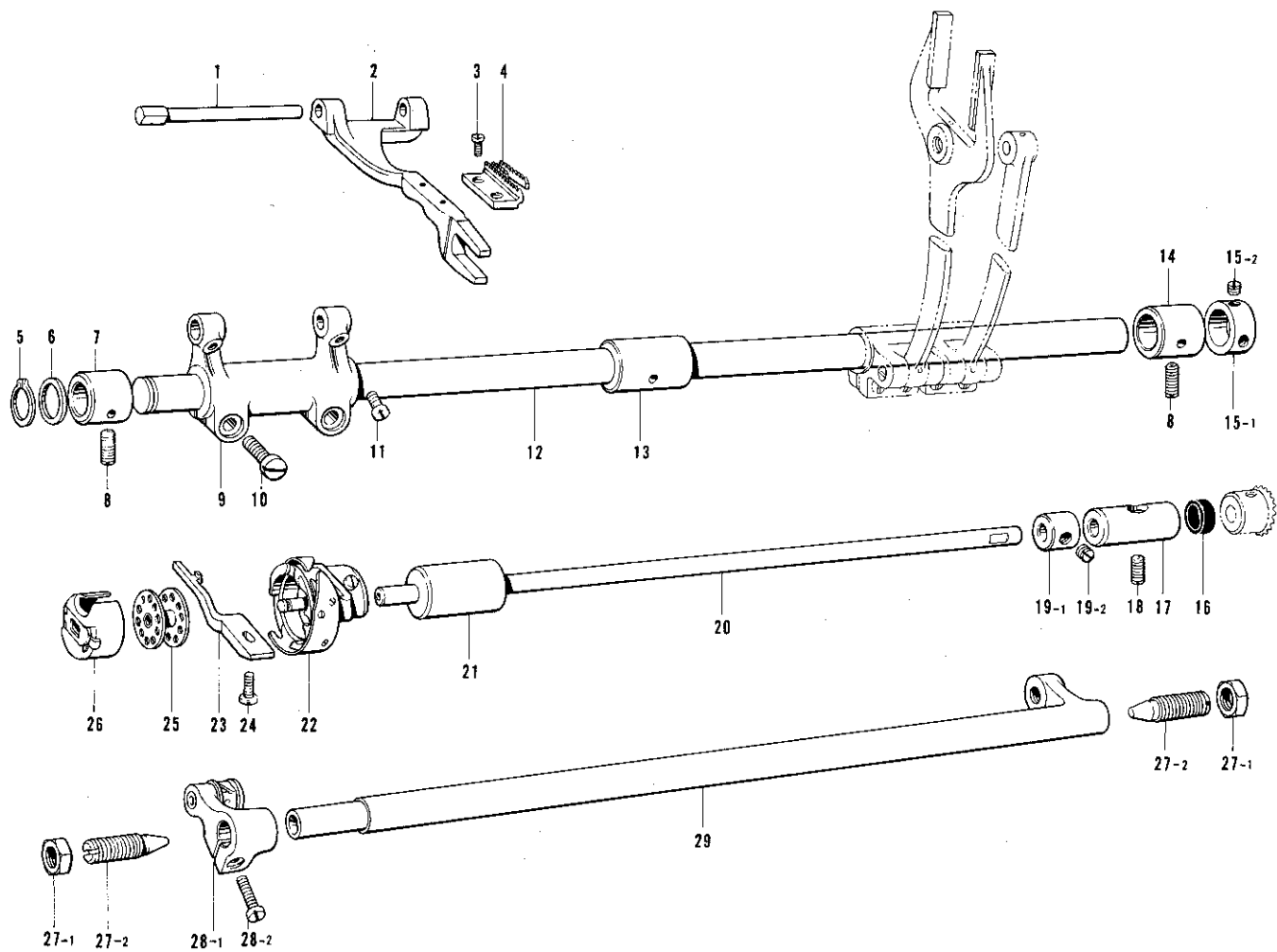
Como usar libros de piezas

1. La pieza que tiene , no se puede suministrarse en pieza misma pero en forma armada.
2. Este libro se ha formado siendo efectuado desde Febrero, 1978.
3. Seria posible que algunas piezas en el libro se modificaria sin aviso.

CONTENTS

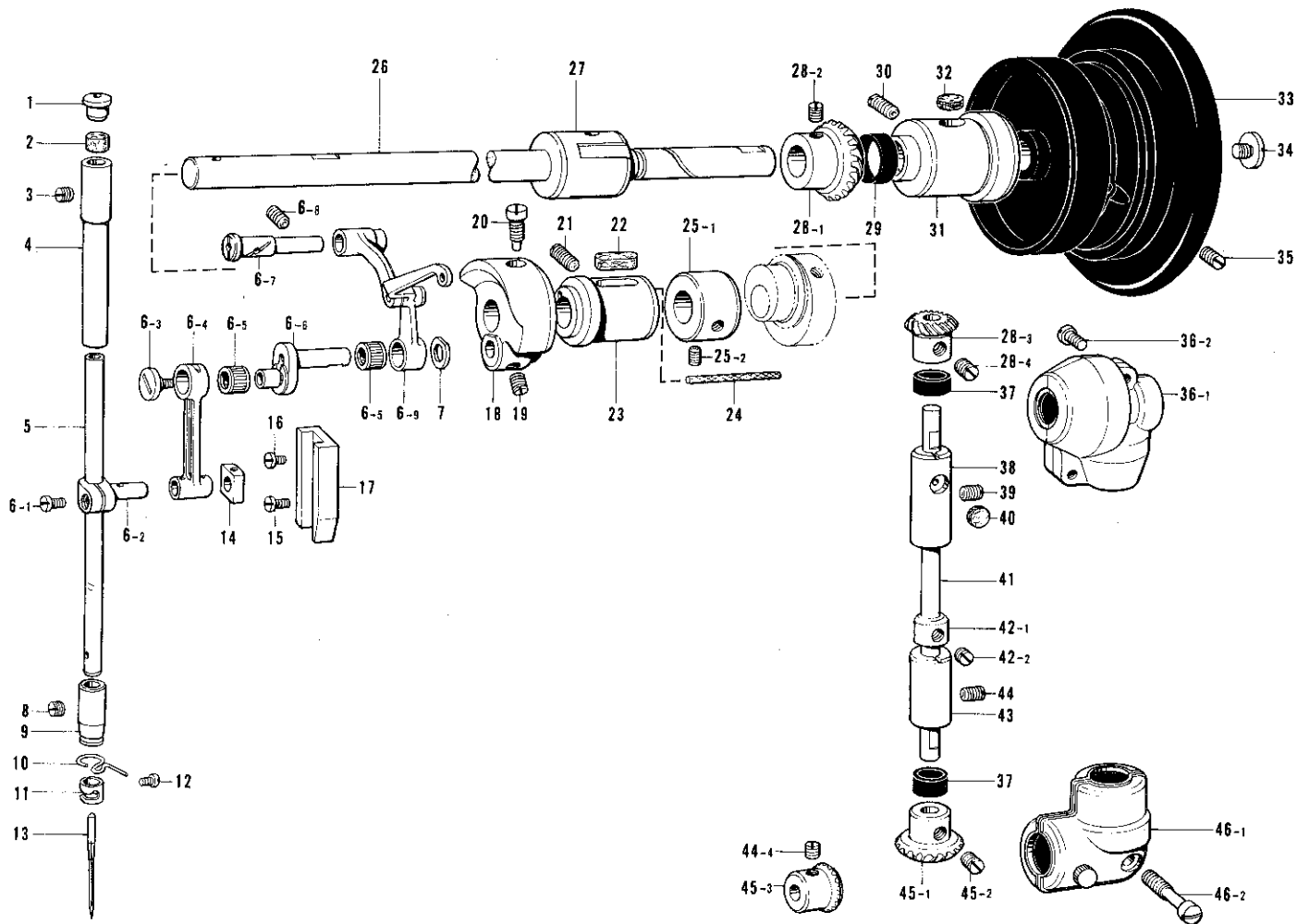
A. Machine Body	1
B. Needle Bar and Thread Take-up Mechanism	2
C. Lower Shaft and Feed Mechanism	3
D. Feed Mechanism.....	4
E. Feeding Foot Mechanism.....	5
F. Presser Foot and Lubrication.....	6
Z. Accessories.....	7
INDEX.....	8

C. Lower Shaft and Feed Mechanism



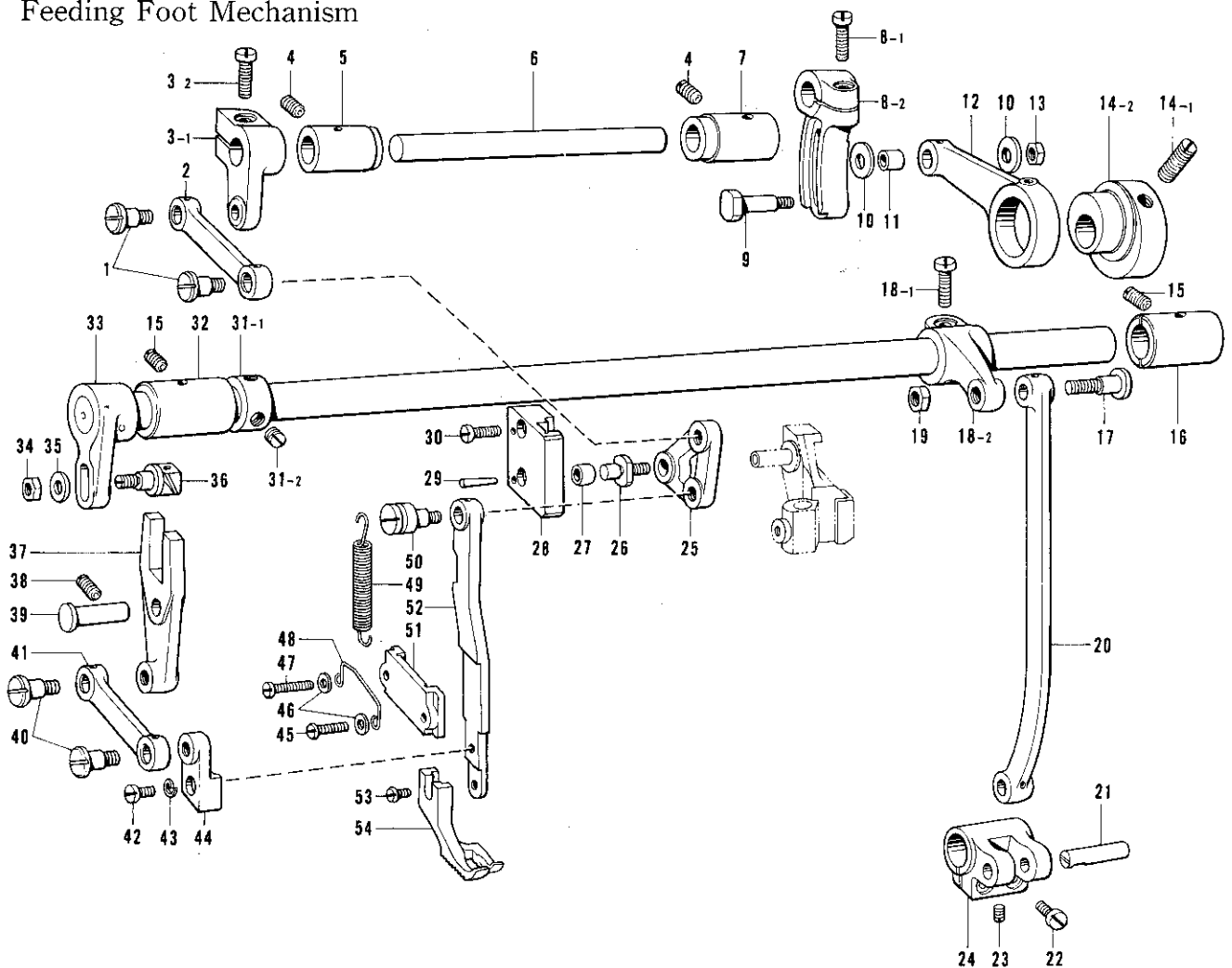
Ref. No.	Name of Parts	Q'ty	Parts No.	Assembly No.	Ref. No.	Name of Parts	Q'ty	Parts No.	Assembly No.
C-1	Feed Bar Shaft	1	116957-0-01		C-18	Screw	1	011681-2-12	
C-2	Feed Bed	1	145511-0-01		C-19-1	Collar	1		C-19 Collar 181995-0-01
C-3	Screw	2	100080-0-03		C-19-2	Screw	2	101706-0-01	
C-4	Feed Dog	1	147493-0-01		C-20	Lower Shaft	1	150471-0-01	
C-5	Stop Ring	1	048150-1-42		C-21	Lower Shaft Bushing Left	1	150472-0-00	
C-6	Thrust Ring	1	116920-0-01		C-22	Rotary Hook Assembly	1	150487-0-01	
C-7	Feed Rock Shaft Bushing Left	1	150440-0-00		C-23	Bobbin Case Holder Position Bracket	1	147337-0-01	
C-8	Screw	2	013760-8-12		C-24	Screw	1	009681-0-12	
C-9	Feed Rock Feed Bar Arm	1	150438-0-01		C-25	Bobbin	1	117061-0-01	
C-10	Screw	2	009781-8-12		C-26	Bobbin Case Assembly	1	147790-0-01	
C-11	Screw	2	104908-0-01		C-27-1	Nut	2	100075-0-04	C-27 Center Screw Assembly 180987-0-01
C-12	Feed Rock Shaft	1	150439-0-01		C-27-2	Center Screw	2		
C-13	Feed Rock Shaft Bushing Middle	1	150488-0-00		C-28-1	Feed Lifting Arm	1		C-28 Feed Lifting Arm Assembly 181941-0-01
C-14	Feed Rock Shaft Bushing Right	1	150441-0-00		C-28-2	Screw	1	009681-6-12	
C-15-1	Collar	1		C-15 Collar Assembly 180321-0-01	C-29	Feed Lifting Rock Shaft	1	116995-0-01	
C-15-2	Screw	2	101706-0-01						
C-16	Oil Seal	1	103797-0-01						
C-17	Lower Shaft Bushing Right	1	150473-0-00						

B. Needle Bar and Thread Take-up Mechanism



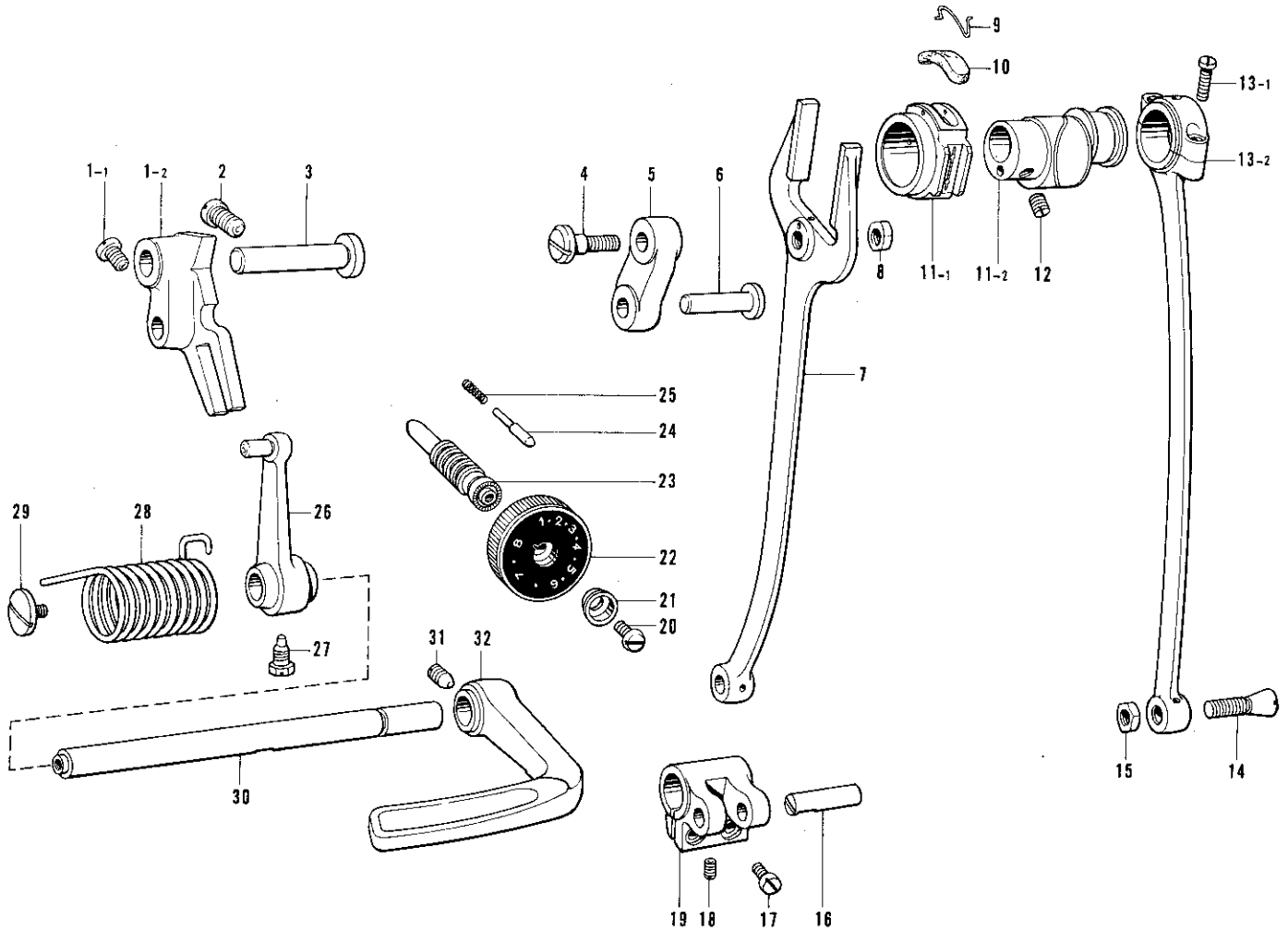
Ref. No.	Name of Parts	Q'ty	Parts No.	Assembly No.	Ref. No.	Name of Parts	Q'ty	Parts No.	Assembly No.
B-1	Cap	1	114255-0-01		B-26	Upper Shaft	1	144551-0-01	
B-2	Felt	1	115812-0-02		B-27	Upper Shaft Bushing	1	116947-0-00	
B-3	Screw	1	100260-0-01		B-28-1	Upper Shaft Gear	1		B-28 Bevel Gear Upper Assembly 140378-0-01
B-4	Needle Bar Bushing Upper	1	117116-0-01		B-28-2	Screw	2	013770-7-10	
B-5	Needle Bar	1	150433-0-01		B-28-3	Vertical Shaft Upper Gear	1		
B-6-1	Screw	1	140004-0-01	B-6 Thread Tack-up Lever Assembly 147323-0-01	B-28-4	Screw	2	013770-7-10	
B-6-2	Needle Bar Clamp	1	111237-0-01		B-30	Oil Seal Right	1	103738-0-01	
B-6-3	Screw	1	145465-0-01		B-31	Upper Shaft Bushing Right	1	148897-0-00	
B-6-4	Needle Bar Crank Rod	1	147491-0-01		B-32	Felt	1	140560-0-01	
B-6-5	Needle Roller Bearing	2	116735-0-00		B-33	Pulley	1	147327-1-01	
B-6-6	Needle Bar Crank	1	147341-0-01		B-34	Screw	1	148900-0-01	
B-6-7	Thread Tack-up Supporter Stud	1			B-35	Screw	2	013761-4-10	
B-6-8	Screw	1	013761-0-10		B-36-1	Gear Case Upper	1		B-36 Gear Case Upper Assembly 140384-0-01
B-6-9	Thread Tack-up Lever	1			B-36-2	Screw	2	100320-0-02	
B-7	Washer	1	110367-0-01		B-37	Seal	2	103796-0-01	
B-8	Screw	1	100260-0-01	B-38	Vertical Shaft Busing Upper	1	148913-0-00		
B-9	Needle Bar Bushing Lower	1	150432-0-01	B-39	Screw	1	013760-6-10		
B-10	Thread Guide Lower	1	150434-0-01	B-40	Felt	1	148918-0-00		
B-11	Needle Bar Thread Guide	1	112775-0-01	B-41	Vertical Shaft	1	150470-0-01		
B-12	Screw	1	140553-0-01	B-42-1	Set Collar	1		B-42 Set Collar 118759-0-01	
B-13	Needle	1	145646-0-23	B-42-2	Screw	2	101706-0-01		
B-14	Needle Bar Guide Slide Brock	1	102630-0-01	B-43	Vertical Shaft Bushing Lower	1	148914-0-00		
B-15	Screw	1	009670-6-12	B-44	Screw	1	013761-4-10		
B-16	Screw	1	009670-5-12	B-45-1	Vertical Shaft Lower Gear	1		B-45 Lower Shaft Gear Assembly 150435-0-01	
B-17	Needle Bar Guide	1	102631-0-00	B-45-2	Screw	2	013770-7-10		
B-18	Counter Weight	1	109205-0-00	B-45-3	Lower Shaft Gear	1			
B-19	Screw	2	013770-7-10	B-45-4	Screw	2	013770-7-10		
B-20	Screw	1	104464-0-01	B-46-1	Gear Case Lower	1		B-46 Lower Gear Assembly 118298-0-01	
B-21	Screw	1	013761-4-10	B-46-2	Screw	2	100343-0-01		
B-22	Felt	1	100248-0-01						
B-23	Upper Shaft Bushing Left	1	144552-0-00						
B-24	Wick	1	108808-0-01						
B-25-1	Collar	1		B-25 Collar with Screw 181940-0-01					
B-25-2	Screw	2	013760-8-10						

E. Feeding Foot Mechanism



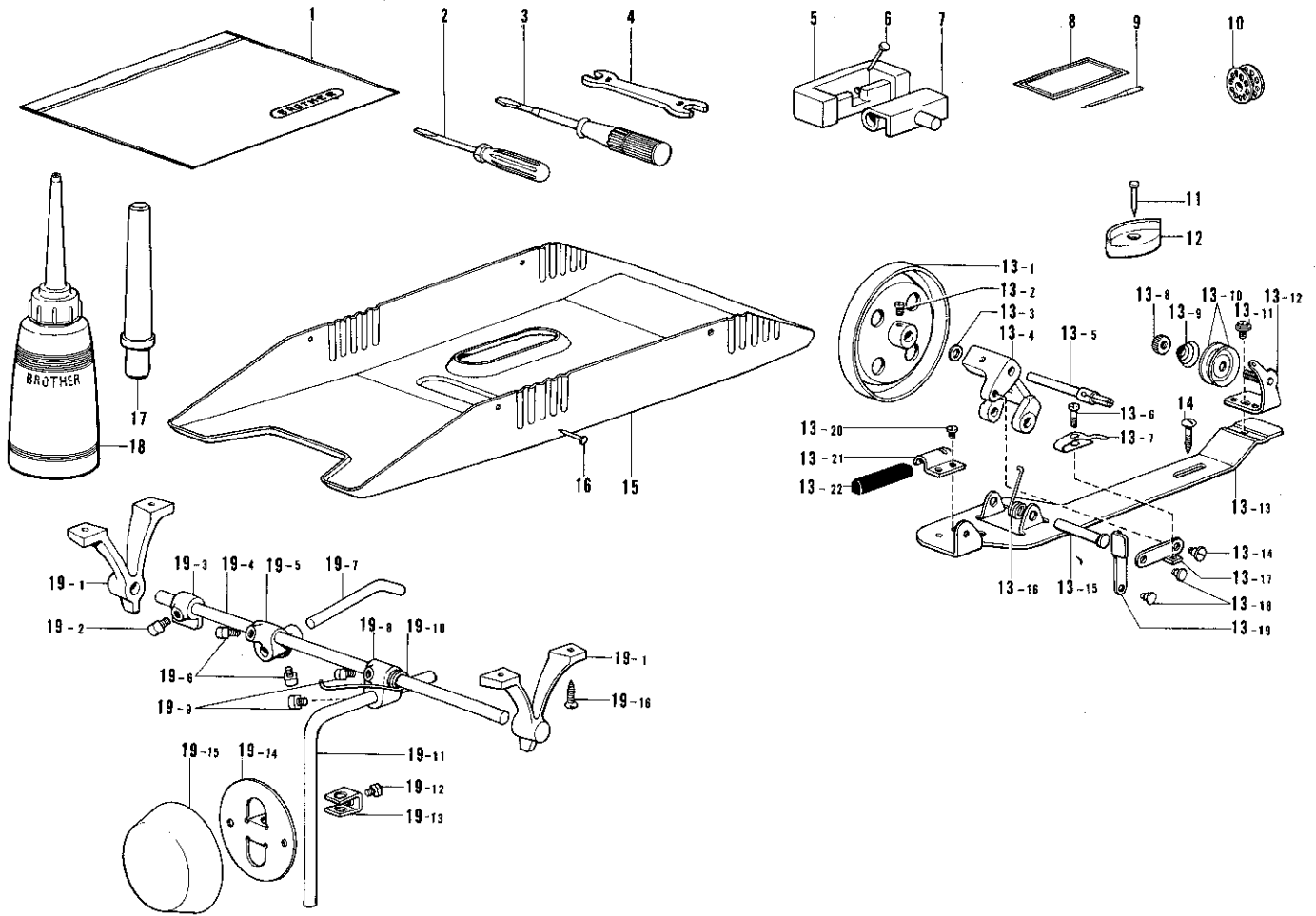
Ref. No.	Name of Parts	Q'ty	Parts No.	Assembly No.	Ref. No.	Name of Parts	Q'ty	Parts No.	Assembly No.
E- 1	Stud Screw	2	150451-0-01		E-23	Screw	1	013680-6-12	
E- 2	Link Large	1	150459-0-01		E-24	Feed Rock Shaft Arm	1	109152-0-01	
E- 3-1	Upper Feed Lifting Rock Arm Left	1		E-3 Upper Feed Lifting Rock Arm Left Assembly 150505-0-01	E-25	Upper Feed Lifting Rock Lever	1	150466-0-01	
E- 3-2	Screw	1	009751-6-12		E-26	Roller Stud	1	150467-0-01	
E- 4	Screw	2	013760-8-12		E-27	Upper Feed Lifting Lever Roller	1	150468-0-01	
E- 5	Cam Shaft Bushing Right	1	115079-0-00		E-28	Upper Feed Lifting Lever Guide	1	150469-0-01	
E- 6	Upper Feed Lifting Rock Shaft	1	150463-0-01		E-29	Pin	2	046301-6-20	
E- 7	Cam Shaft Bushing Left	1	115080-0-00		E-30	Screw	2	009671-4-12	
E- 8-1	Screw	1	009751-6-12	E-8 Upper Feed Lifting Rock Arm Right Assembly 150504-0-01	E-31-1	Collar	1		E-31 Collar Assembly 180321-0-01
E- 8-2	Upper Feed Lifting Rock Arm Right	1			E-31-2	Screw	2	101706-0-01	
E- 9	Upper Feed Lifting Rock Lever Shaft	1	150460-0-01		E-32	Upper Feed Rock Shaft Bushing Left	1	150444-0-00	
E-10	Washer	2	107453-0-01		E-33	Upper Feed Rock Shaft Assembly	1	150446-0-01	
E-11	Roller	1	150461-0-01		E-34	Nut	1	021750-1-03	
E-12	Upper Feed Lifting Rock Connector	1	150465-0-01		E-35	Washer	1	025750-2-33	
E-13	Nut	1	021750-1-03		E-36	Roller Stud Assembly	1	150502-0-01	
E-14-1	Screw	2	013761-2-10	E-14 Feeding Foot Eccentric Wheel Assembly 150503-0-01	E-37	Upper Feed Rock Lever	1	150449-0-01	
E-14-2	Feeding Foot Eccentric Wheel	1			E-38	Screw	1	013760-8-12	
E-15	Screw	2	013760-8-12		E-39	Upper Feed Rock Lever Shaft	1	150491-0-01	
E-16	Upper Feed Rock Shaft Bushing Right	1	150445-0-00		E-40	Stud Screw	2	150451-0-01	
E-17	Stud Screw	1	149204-0-01		E-41	Link Small	1	150450-0-01	
E-18-1	Screw	1	009781-8-12	E-18 Upper Feed Rock Arm Right Assembly 150501-0-01	E-42	Screw	1	009680-6-12	
E-18-2	Upper Feed Rock Arm Right	1			E-43	Washer	1	028680-2-43	
E-19	Nut	1	104689-0-01		E-44	Feeding Foot Connector Bracket	1	150452-0-01	
E-20	Upper Feed Rock Connector Large	1	150442-0-01		E-45	Screw	1	007671-2-12	
E-21	Feed Rock Shaft Arm Pin	1	109153-0-01		E-46	Washer	2	105161-0-03	
E-22	Screw	2	009681-2-12		E-47	Screw	1	009671-4-12	
					E-48	Spring Holder	1	150456-0-01	
					E-49	Spring	1	150457-0-01	
					E-50	Stud Screw	1	150430-0-01	
					E-51	Feeding Foot Connector Guide	1	150455-0-01	
					E-52	Feeding Foot Connector	1	150453-0-01	
					E-53	Screw	1	001670-8-14	
					E-54	Feeding Foot	1	150454-0-01	

D. Feed Mechanism



Ref. No.	Name of Parts	Q'ty	Parts No.	Assembly No.	Ref. No.	Name of Parts	Q'ty	Parts No.	Assembly No.
D- 1-1	Screw	1	102627-0-01	D-1 Feed Regulator with Screw 150740-0-01	D-14	Screw	1	100310-0-01	
D- 1-2	Feed Regulator	1			D-15	Nut	1	104689-0-01	
D- 2	Screw	1	146141-0-01		D-16	Feed Rock Shaft Arm Pin	1	109153-0-01	
D- 3	Stud	1	111491-0-01		D-17	Screw	2	009681-2-12	
D- 4	Stud Screw	1	149204-0-01		D-18	Screw	1	013680-6-12	
D- 5	Feed Regulator Link	1	150489-0-01		D-19	Feed Rock Shaft Arm	1	109152-0-01	
D- 6	Feed Regulator Link Shaft	1	148912-0-01		D-20	Screw	1	142747-0-02	
D- 7	Feed Forked Connector	1	150437-0-01		D-21	Washer	1	142746-0-02	
D- 8	Nut	1	104689-0-01		D-22	Length Control Dial Assembly	1	148907-0-01	
D- 9	Felt Wipe	1	106440-0-00		D-23	Screw	1	100322-0-01	
D-10	Felt	1	106442-0-01		D-24	Pin	1	100327-0-01	
D-11-1	Feed Cam Sleeve	1		D-11 Feed Cam Assembly 147345-0-01	D-25	Spring	1	100328-0-01	
D-11-2	Feed Cam	1			D-26	Feed Regulator Lever Assembly	1	116953-0-01	
D-12	Screw	2	013760-8-10		D-27	Bolt	1	108749-0-01	
D-13-1	Screw	2	107428-0-01	D-13 Crank Rod Assembly 118293-0-01	D-28	Feed Regulator Spring	1	116956-0-01	
D-13-2	Crank Rod	1			D-29	Screw	1	100511-0-03	
					D-30	Feed Regulator Lever Shaft	1	108541-0-01	
					D-31	Screw	1	015771-0-12	
					D-32	Reverse Lever	1	118752-0-01	

Z. Accessories



Ref. No.	Name of Parts	Q'ty	Parts No.	Assembly No.	Ref. No.	Name of Parts	Q'ty	Parts No.	Assembly No.
Z- 1	Accessory Bag		122991-0-01		Z-13-16	Spring		117969-0-01	Z-13 Bobbin Winder Assembly 117963-0-01
Z- 2	Screw Driver		142443-0-01		Z-13-17	Bobbin Presser Arm			
Z- 3	Screw Driver		118837-0-01		Z-13-18	Pin		100661-0-01	
Z- 4	Spanner		100887-0-01		Z-13-19	Bobbin Presser Arm Bracket			
Z- 5	Rubber Hinge		143910-0-01		Z-13-20	Screw		009679-3-12	
Z- 6	Nail		109714-0-00		Z-13-21	Bobbin Winder Wheel Stopper Holder			
Z- 7	Hinge		143882-0-01		Z-13-22	Bobbin Winder Wheel Stopper		100662-0-01	
Z- 8	Needle Bag				Z-14	Screw		100666-0-02	
Z- 9	Needle		145646-0-23		Z-15	Oil Pan		148922-0-01	
Z-10	Bobbin		117061-0-01		Z-16	Nail		109714-0-00	
Z-11	Nail		109714-0-00		Z-17	Head Rest		100477-0-01	
Z-12	Head Cushion		148890-1-01		Z-18	Oiler		114483-0-01	
Z-13-1	Bobbin Winder Wheel Assembly			Z-13 Bobbin Winder Assembly 117963-0-01	Z-19-1	Knee Lifter Shaft Bracket			Z-19 Knee Lifter Assembly 110845-0-01
Z-13-2	Screw		100366-0-02		Z-19-2	Bolt		100463-0-01	
Z-13-3	Washer				Z-19-3	Stopper Collar			
Z-13-4	Bobbin Winder Wheel Shaft Bushing				Z-19-4	Knee Lifter Shaft			
Z-13-5	Bobbin Winder Shaft		117970-0-01		Z-19-5	Knee Lifter Crank Presser Bar Connector			
Z-13-6	Screw		100657-0-01		Z-19-6	Bolt		100463-0-01	
Z-13-7	Bobbin Presser				Z-19-7	Knee Lifter Crank Presser Bar			
Z-13-8	Nut				Z-19-8	Knee Lifter Joint			
Z-13-9	Spring		100401-0-01		Z-19-9	Bolt		100463-0-01	
Z-13-10	Tension Disc		145446-0-01		Z-19-10	Spring			
Z-13-11	Screw				Z-19-11	Knee Lifter Bar		104619-0-02	
Z-13-12	Bobbin Winder Wheel Guide Bracket Assembly				Z-19-12	Bolt		110087-0-01	
Z-13-13	Bobbin Winder Wheel Bracket				Z-19-13	Knee Lifter Plate Stopper		114967-0-01	
Z-13-14	Screw		100659-0-01		Z-19-14	Knee Lifter Plate		114966-0-01	
Z-13-15	Pin				Z-19-15	Knee Lifter Cover		140503-0-01	
					Z-19-16	Screw		100460-0-00	

* The details of included accessories are subject to change.

* Änderungen in der Aufstellung der mitgelieferten Zubehöre sind vorbehalten.

* Les détails des accessoires inclus sont sujets à des changements.

* Los detalles de los accesorios incluidos pueden variar.

INDEX

Parts No.	Ref. No.	Parts No.	Ref. No.	Parts No.	Ref. No.	Parts No.	Ref. No.	Parts No.	Ref. No.
001670-8-14	E-53	100327-0-01	D-24	114966-0-01	Z-19-14	148900-0-01	B-34	150503-0-01	E-14
	F-9	100328-0-01	D-25	114967-0-01	Z-19-13	148907-0-01	D-22	150504-0-01	E-8
007671-2-12	E-45	100343-0-01	B-46-2	115079-0-00	E-5	148912-0-01	D-6	150505-0-01	E-3
009670-5-12	B-16	100366-0-02	Z-13-2	115080-0-00	E-7	148913-0-00	B-38	150731-0-01	F-29
009670-6-12	A-16	100398-0-01	A-26	115812-0-02	B-2	148914-0-00	B-43	150732-0-01	F-29-2
	B-15	100400-0-00	A-28	116112-0-01	A-7	148918-0-00	B-40	150740-0-01	D-1
	F-13	100401-0-01	Z-13-9	116920-0-01	C-6	148922-0-01	Z-15	180321-0-01	C-15
	F-28	100402-0-04	A-31	116947-0-00	B-27	148923-0-01	A-27		E-31
009670-6-14	A-5	100460-0-00	Z-19-16	116953-0-01	D-26	148924-1-01	A-23	180987-0-01	C-27
009671-0-12	E-19	100463-0-01	Z-19-2	116956-0-01	D-28	149204-0-01	D-4	181940-0-01	B-25
009671-4-12	E-30		Z-19-6	116957-0-01	C-1		E-17	181941-0-01	C-28
	E-47		Z-19-9	116995-0-01	C-29	150430-0-01	E-50	181995-0-01	C-19
009679-3-12	Z-13-20	100477-0-01	Z-17	117061-0-01	C-25	150432-0-01	B-9	111237-0-01	B-6-2
009680-6-12	E-42	100511-0-03	D-29		Z-10	150433-0-01	B-5	116735-0-00	B-6-5
009680-7-12	A-8	100657-0-01	Z-13-6	117116-0-01	B-4	150434-0-01	B-10	147341-0-01	B-6-6
009681-0-12	C-24	100659-0-01	Z-13-14	117963-0-01	Z-13	150435-0-01	B-45	147491-0-01	B-6-4
009681-2-12	D-17	100661-0-01	Z-13-18	117969-0-01	Z-13-16	150436-0-01	F-8		
	E-22	100662-0-01	Z-13-22	117970-0-01	Z-13-5	150437-0-01	D-7		
009681-6-12	C-28-2	100666-0-02	Z-14	118289-0-01	A-34	150438-0-01	C-9		
009710-8-12	F-31	100887-0-01	Z-4	118293-0-01	D-13	150439-0-01	C-12		
009751-6-12	E-3-2	101706-0-01	B-42-2	118298-0-01	B-46	150440-0-00	C-7		
	E-8-1		C-15-2	118475-0-01	A-2	150441-0-00	C-14		
009781-8-12	C-10		C-19-2	118550-0-00	F-29-3	150442-0-01	E-20		
	E-18-1		E-31-2	118752-0-01	D-32	150444-0-00	E-32		
011681-2-12	C-18	102538-0-02	F-38	118759-0-01	B-42	150445-0-00	E-16		
013680-6-10	F-12	102627-0-01	D-1-1	118768-0-01	F-33	150446-0-01	E-33		
013680-6-12	A-6	102630-0-01	B-14	118837-0-01	Z-3	150449-0-01	E-37		
	A-10	102631-0-00	B-17	122771-0-01	A-34-3	150450-0-01	E-41		
	D-18	103013-0-01	F-6	122991-0-01	Z-1	150451-0-01	E-1		
	E-23	103738-0-01	B-29	124697-0-01	F-11		E-40		
013760-6-10	B-30	103796-0-01	B-37	140004-0-01	B-6-1	150452-0-01	E-44		
	B-39	103797-0-01	C-16	140378-0-01	B-28	150453-0-01	E-52		
013760-8-10	B-25-2	103950-0-02	A-30	140384-0-01	B-36	150454-0-01	E-54		
	D-12	104451-0-01	A-18	140503-0-01	Z-19-15	150455-0-01	E-51		
	F-5	104464-0-01	E-20	140534-0-00	F-32	150456-0-01	E-48		
013760-8-12	C-8	104546-0-01	F-37	140553-0-01	B-12	150457-0-01	E-49		
	E-4	104547-0-01	F-36	140560-0-01	B-32	150459-0-01	E-2		
	E-15	104619-0-02	Z-19-11	141099-0-01	F-2	150460-0-01	E-9		
	E-38	104689-0-01	D-8	141744-0-01	A-17	150461-0-01	E-11		
013761-0-10	B-6-8		D-15	142443-0-01	Z-2	150463-0-01	E-6		
013761-2-10	E-14-1		E-19	142481-0-01	F-10	150465-0-01	E-12		
013761-4-10	B-21	104908-0-01	C-11	142746-0-02	D-21	150466-0-01	E-25		
	B-35	105161-0-03	E-46	142747-0-02	D-20	150467-0-01	E-26		
	B-44	106440-0-00	D-9	143882-0-01	Z-7	150468-0-01	E-27		
013770-7-10	B-19	106442-0-01	D-10	143910-0-01	Z-5	150469-0-01	E-28		
	B-28-2	107428-0-01	D-13-1	144523-0-01	F-23	150470-0-01	B-41		
	B-28-4	107453-0-01	E-10	144551-0-01	B-26	150471-0-01	C-20		
	B-45-2	108541-0-01	D-30	144552-0-00	B-23	150472-0-00	C-21		
	B-45-4	108749-0-01	D-27	144560-0-01	F-29-1	150473-0-00	C-17		
015771-0-12	D-31	108808-0-01	B-24	145250-0-01	A-29	150474-0-01	A-15		
021750-1-03	E-13	109152-0-01	D-19	145446-0-01	A-25	150475-0-00	F-25		
	E-34		E-24		Z-13-10	150476-0-00	F-26		
025750-2-33	E-35	109153-0-01	D-16	145465-0-01	B-6-3	150477-0-01	F-27		
028680-2-43	E-43		E-21	145511-0-01	C-2	150478-0-01	A-3		
046301-6-20	E-29	109205-0-00	B-18	145646-0-23	B-13	150479-0-01	F-17		
048150-1-42	C-5	109714-0-00	Z-6		Z-9	150480-0-01	F-18		
081014-6-70	F-35		Z-11	146141-0-01	D-2	150481-0-01	F-7		
100032-0-03	A-33		Z-16	147323-0-01	B-6	150482-0-01	F-3		
100075-0-04	C-27-1	110087-0-01	Z-19-12	147327-1-01	B-33	150483-0-01	F-4		
100080-0-03	C-3	110367-0-01	B-7	147337-0-01	C-23	150484-0-01	F-20		
100134-0-01	A-24	110845-0-01	Z-19	147338-0-01	A-9	150485-0-01	F-22		
100136-0-01	A-22	111191-0-01	D-3	147339-0-01	A-4	150486-0-01	F-24		
100248-0-01	B-22	111865-0-01	F-34	147345-0-01	D-11	150487-0-01	C-22		
100260-0-01	B-3	112775-0-01	B-11	147493-0-01	C-4	150488-0-00	C-13		
	B-8	112782-0-01	A-1	147557-0-01	A-14	150489-0-01	D-5		
100279-1-01	F-1	113730-0-01	F-16	147790-0-01	C-26	150490-0-01	F-15		
100304-0-01	F-30	114255-0-01	B-1	148372-0-01	F-21	150491-0-01	E-39		
100310-0-01	D-14	114483-0-01	Z-18	148806-0-01	F-14	150492-0-01	A-32		
100320-0-02	B-36-2	114561-0-01	A-34-2	148890-1-01	Z-12	150501-0-01	E-18		
100322-0-01	D-23	114931-0-01	A-11	148897-0-00	B-31	150502-0-01	E-36		

